

KLEIN®

Sistema de puertas correderas con detención suave
Sliding doors with soft closing system
Sistema de portas de correr com fecho suave
Sistema de portes corredisses amb detenció suau



ROLLGLASS+

Interiorismo Vidrio
Interior Design Glass
Design de Interiores de Vidro
Interiorisme Vidre

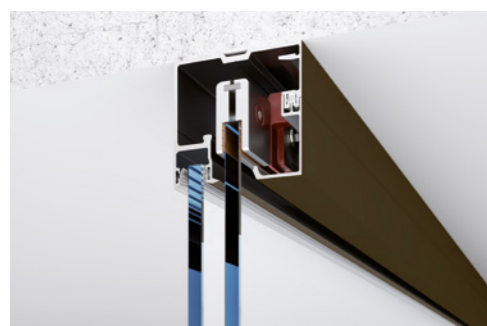


reddot award 2018
winner



ROLLGLASS+

SILVER



BRONZE



BLACK

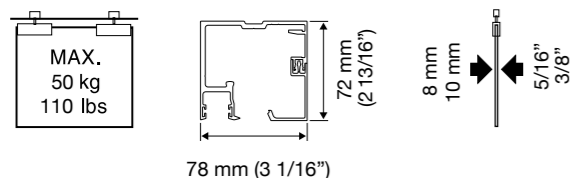


KBS

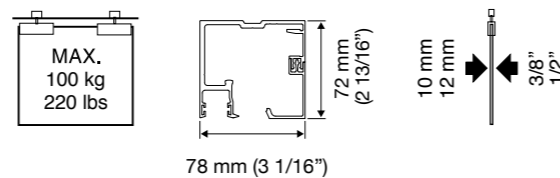


KSC

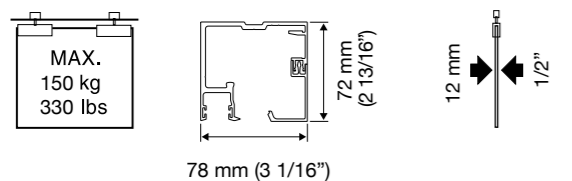
ROLLGLASS+ 50



ROLLGLASS+ 100



ROLLGLASS+ 150



ESP

Rollglass+: crea un frente acristalado que combina paneles de vidrio fijos y móviles mediante una única guía. Puede esconderse en falso techo para un efecto absolutamente minimalista. Versátil y flexible, permite variadas combinaciones y cuida todos los detalles.

- Instalación a techo o a falso techo.
- Perfil especial para falso techo, con aletas escondidas para una máxima integración arquitectónica.
- Nueva mordaza: centraliza todas las prestaciones del sistema: regulación en altura, activación del mecanismo de frenado, y dispositivo antidescarrambamiento.
- Montaje rápido e intuitivo:
 - Acceso directo a la mordaza.
 - Sistema empotrado a falso techo: montaje en dos fases para una instalación eficiente.
 - Perfil inferior en "L" para una fácil inserción frontal del vidrio
- Diseño limpio e innovador.
- Disponible con o sin perfil inferior para el vidrio fijo.
- Vidrio de 8, 10 o 12 mm, hasta 150 Kg por hoja corredera.
- Regulación de la altura de +/- 3mm.*
- Perfil de aluminio anodizado Silver, Negro y Bronce.
- Deslizamiento silencioso y con mínimo esfuerzo.
- Garantía KLEIN® 5 años.
- Opciones de frenado de la puerta:
 - **KSC, Klein Soft Closing:** Detención suave controlada.
 - **KBS, Klein Brake System:** Tope con freno amortiguador. De serie en toda la gama.*

Sistemas testados hasta 100.000 ciclos según la norma EN1527 por IFT Rosenheim.

POR

Rollglass+: cria uma frente vidrada que combina painéis de vidro fixos e móveis através de uma única guia. Pode esconder-se num teto falso para um efeito totalmente minimalista. Versátil e flexível, permite diversas combinações e tem atenção a todos os detalhes.

- Instalação à vista no teto ou em teto falso.
- Perfil especial para teto falso, com aletas escondidas para uma máxima integração arquitetónica.
- Novo grampo: centraliza todos os recursos do sistema: regulação em altura, ativação do mecanismo de travagem e dispositivo antiderrapante.
- Montagem rápida e intuitiva:
 - Acesso direto ao grampo.
 - Sistema embutido em teto falso: montagem em duas fases para uma instalação eficiente.
 - Perfil inferior em "L" para uma fácil inserção frontal do vidro.
- Design limpo e inovador.
- Disponível com ou sem perfil inferior para o vidro fixo.
- Vidro de 8, 10 ou 12 mm, até 150 kg por folha de correr.
- Regulação da altura de +/- 3 mm.*
- Perfil de alumínio anodizado Silver, Preto e Bronze.
- Deslize silencioso e com um mínimo esforço.
- Garantia KLEIN® 5 anos.
- Opções de travagem da porta:
 - **KSC, Klein Soft Closing:** Fecho suave e controlado.
 - **KBS, Klein Brake System:** Limitador com travão de amortização. De série em toda a gama.*

Sistemas testados até 100.000 ciclos, conforme a norma EN1527.

ENG

Rollglass+: creates a glass front that combines fixed and mobile glass panels on a single track. It can be hidden in a drop ceiling for a completely minimalist effect. Versatile and flexible, it allows for various combinations, down to the smallest detail.

- Installation on ceiling or in drop ceiling.
- Special profile with hidden dropped ceiling wings for maximum architectural integration.
- A new clamp which centralises all features of the system: heightadjustment, activation of the braking mechanism, and anti-derailing device.
- Fast and intuitive assembly for efficient implementation:
 - Direct access to the clamp.
 - System embedded in drop ceiling: two-phase assembly for easy installation.
 - Bottom profile in a double "L" shape for easy frontal insertion of the glass.
- Clean, innovative design.
- Available with or without bottom profile for the fixed glass.
- 8, 10 or 12 mm glass, weighing up to 150 kg per sliding pane.
- Height adjustment of +/- 3 mm.*
- Silver, Black and Bronze anodized aluminum profiles.
- Silent and effortless sliding.
- Five-year KLEIN® warranty.
- Soft closing options:
 - **KSC, Klein Soft Closing:** Smooth, controlled closing.
 - **KBS, Klein Brake System:** Stop with damper brake. Standard for the entire line.*

Systems tested up to 100,000 cycles as per standard EN1527 by IFT Rosenheim.

CAT

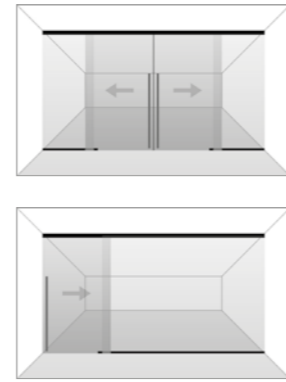
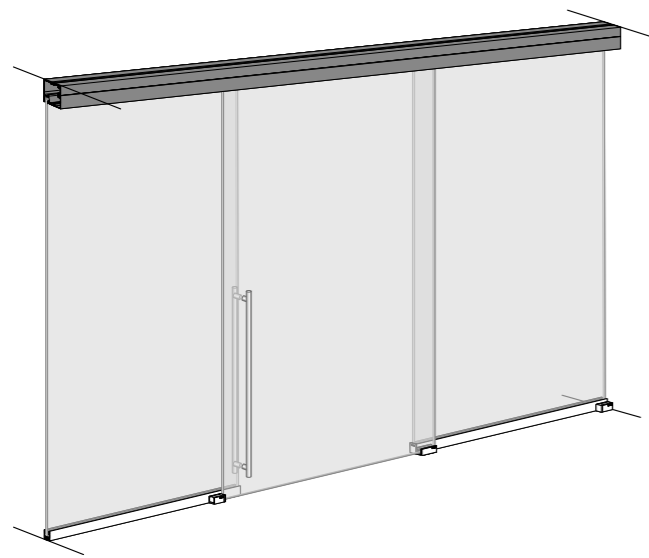
Rollglass+: crea un front de vidre que combina panells de vidre fixos i mòbils mitjançant una única guia. Pot amagar-se al sostre fals per a un efecte absolutament minimalista. Versàtil i flexible, permet combinacions variades i té cura de tots els detalls.

- Instal·lació a sostre o a sostre fals.
- Perfil especial per a sostre fals, amb aletes amagades per a una màxima integració arquitectònica.
- Nova mordassa: centralitza totes les prestacions del sistema: regulació en alçada, activació del mecanisme de frenada i dispositiu antidescavalament.
- Muntatge ràpid i intuïtiu per a una execució eficient:
 - Accés directe a la mordassa.
 - Sistema encastat al sostre fals: muntatge en dues fases per a una instal·lació fàcil.
 - Perfil inferior en doble "L" per a una inserció fàcil i frontal del vidre.
- Disseny net i innovador.
- Disponible amb o sense perfil inferior per al vidre fix.
- Vidre de 8, 10 o 12 mm, fins a 150 kg per fulla corredissa.
- Regulació de l'alçada de +/- 3 mm.*
- Perfil d'alumini anoditzat Silver, Negre i Bronze.
- Lliscament silencios i amb un mínim d'esforç.
- Garantia KLEIN® de 5 anys.
- Opcions de frenada de la porta:
 - **KSC, Klein Soft Closing:** Detenció suau controlada.
 - **KBS, Klein Brake System:** Topall amb fre amortidor. De sèrie en tota la gamma.*

Sistemes provats fins a 100.000 cicles segons la norma EN1527 per IFT Rosenheim.

*Válido para productos ROLLGLASS+ 50 y 100 / Valid for ROLLGLASS+ 50 and 100 / Válido para productos ROLLGLASS+ 50 e 100 / Vàlid pels productes ROLLGLASS+ 50 i 100

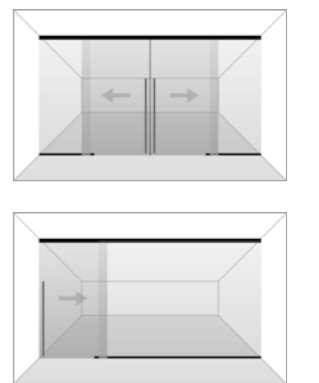
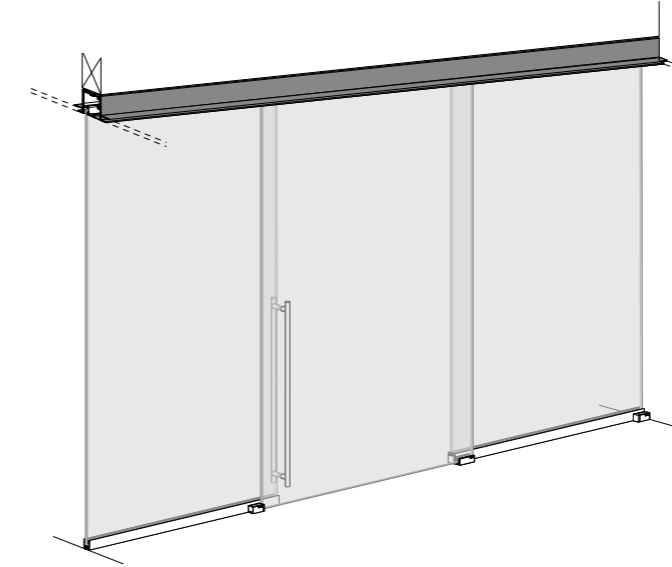
Visto / Exposed / À vista / Vist



ROLLGLASS+ 50/100

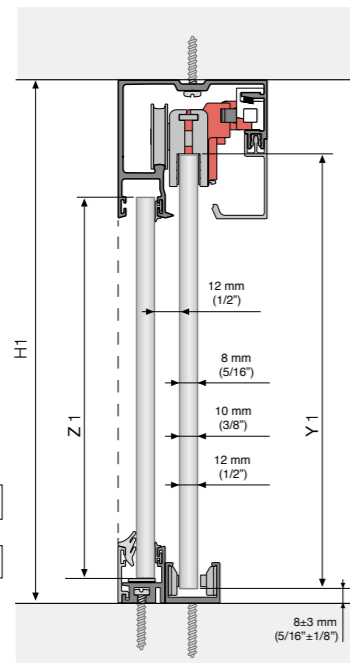
ROLLGLASS+ 150

Empotrado / Recessed / Embutido / Encastat



ROLLGLASS+ 50/100

ROLLGLASS+ 150

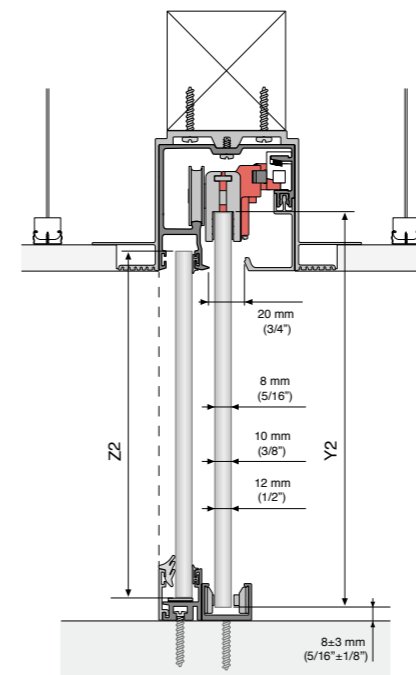
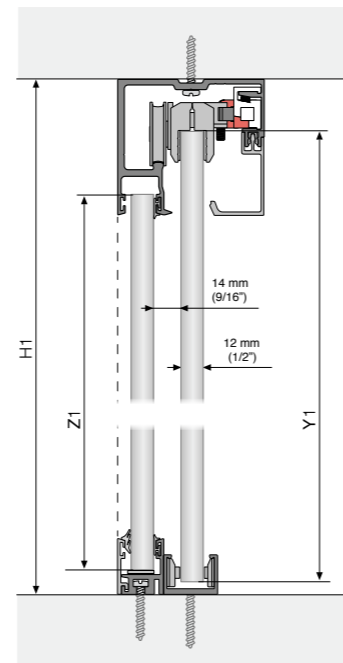


$Y1 = H1 - 47 \text{ mm (1 13/16\"}$

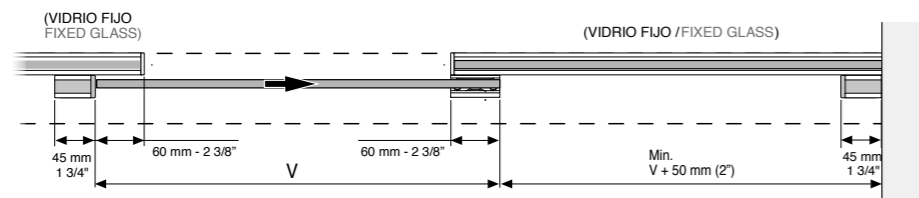
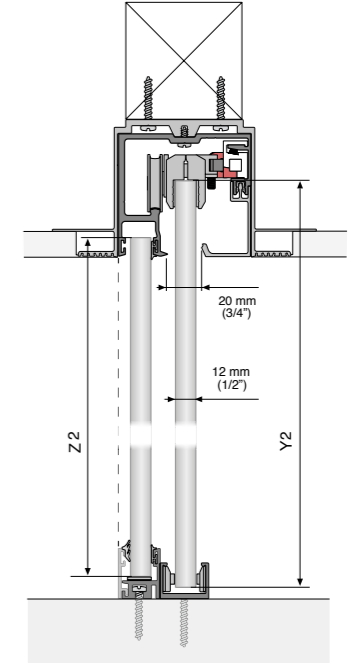
$Z1 = H1 - 74 \text{ mm (2 7/8\"}$

$Z1 = H1 - 74 \text{ mm (2 7/8\"}$

$Y1 = H1 - 35 \text{ mm (1 3/8\"}$

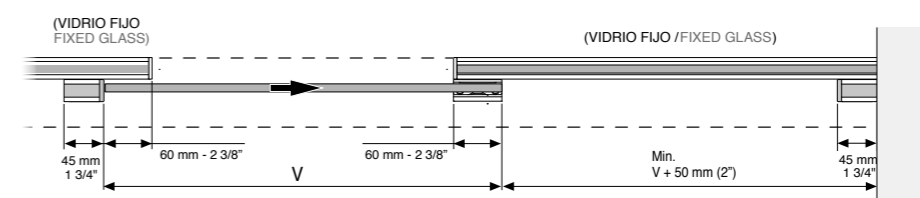


Y2 / Z2
See our mounting instructions /
Ver nuestra hoja de instrucciones



KSC ROLLGLASS+ 50/100 $V \geq 800 \text{ mm (31 1/2\"}$

KSC ROLLGLASS+ 150 $V \geq 1000 \text{ mm (39\"}$



KSC ROLLGLASS+ 50/100 $V \geq 800 \text{ mm (31 1/2\"}$

KSC ROLLGLASS+ 150 $V \geq 1000 \text{ mm (39\"}$

REFERENCIAS / REFERENCES / REFERÊNCIAS / REFERÈNCIES

ESP

| ROLLGLASS+ 50 SILVER | | | |
|----------------------|--|----|------|
| Ref. | Descripción | U. | Img. |
| 2402 | PFS. ROLLGLASS+ 50 SILVER 2m | 1 | A |
| 2403 | PFS. ROLLGLASS+ 50 SILVER 3m | 1 | A |
| 2404 | PFS. ROLLGLASS+ 50 SILVER 4m | 1 | A |
| 2406 | PFS. ROLLGLASS+ 50 SILVER 6m | 1 | A |
| 2401 | PF. SUPERIOR ROLLGLASS+ 50 SILVER 2m | 1 | B |
| 2405 | PF. SUPERIOR ROLLGLASS+ 50 SILVER 3m | 1 | B |
| 2407 | PF. SUPERIOR ROLLGLASS+ 50 SILVER 4m | 1 | B |
| 2408 | PF. SUPERIOR ROLLGLASS+ 50 SILVER 6m | 1 | B |
| 2300 | JGO. ACC. ROLLGLASS+ 50 KSC V8-10 SILVER | 1 | I |
| 2310 | JGO. ACC. ROLLGLASS+ 50 KBS V8-10 SILVER | 1 | J |
| 2492 | PFS. FALSO TECHO ROLLGLASS+ SILVER 2m | 1 | C |
| 2493 | PFS. FALSO TECHO ROLLGLASS+ SILVER 3m | 1 | C |
| 2494 | PFS. FALSO TECHO ROLLGLASS+ SILVER 4m | 1 | C |
| 2496 | PFS. FALSO TECHO ROLLGLASS+ SILVER 6m | 1 | C |

| ROLLGLASS+ 100/150 SILVER | | | |
|---------------------------|---|----|------|
| Ref. | Descripción | U. | Img. |
| 2412 | PFS. ROLLGLASS+ 100/150 SILVER 2m | 1 | A |
| 2413 | PFS. ROLLGLASS+ 100/150 SILVER 3m | 1 | A |
| 2414 | PFS. ROLLGLASS+ 100/150 SILVER 4m | 1 | A |
| 2416 | PFS. ROLLGLASS+ 100/150 SILVER 6m | 1 | A |
| 2411 | PF. SUPERIOR ROLLGLASS+ 100/150 SILVER 2m | 1 | B |
| 2415 | PF. SUPERIOR ROLLGLASS+ 100/150 SILVER 3m | 1 | B |
| 2417 | PF. SUPERIOR ROLLGLASS+ 100/150 SILVER 4m | 1 | B |
| 2418 | PF. SUPERIOR ROLLGLASS+ 100/150 SILVER 6m | 1 | B |
| 2350 | JGO. ACC. ROLLGLASS+ 100 KSC V10-12 SILVER | 1 | O |
| 2360 | JGO. ACC. ROLLGLASS+ 100 KBS V10-12 SILVER | 1 | P |
| 2550 | JGO. ACC. ROLLGLASS+ 150 KSC V12 SILVER | 1 | U |
| 2492 | PFS. FALSO TECHO ROLLGLASS+ 100/150 SILVER 2m | 1 | C |
| 2493 | PFS. FALSO TECHO ROLLGLASS+ 100/150 SILVER 3m | 1 | C |
| 2494 | PFS. FALSO TECHO ROLLGLASS+ 100/150 SILVER 4m | 1 | C |
| 2496 | PFS. FALSO TECHO ROLLGLASS+ 100/150 SILVER 6m | 1 | C |

| ROLLGLASS+ 50 BRONZE | | | |
|----------------------|--|----|------|
| Ref. | Descripción | U. | Img. |
| 2422 | PFS. ROLLGLASS+ 50 BRONZE 2m | 1 | D |
| 2423 | PFS. ROLLGLASS+ 50 BRONZE 3m | 1 | D |
| 2424 | PFS. ROLLGLASS+ 50 BRONZE 4m | 1 | D |
| 2426 | PFS. ROLLGLASS+ 50 BRONZE 6m | 1 | D |
| 2421 | PF. SUPERIOR ROLLGLASS+ 50 BRONZE 2m | 1 | E |
| 2425 | PF. SUPERIOR ROLLGLASS+ 50 BRONZE 3m | 1 | E |
| 2427 | PF. SUPERIOR ROLLGLASS+ 50 BRONZE 4m | 1 | E |
| 2428 | PF. SUPERIOR ROLLGLASS+ 50 BRONZE 6m | 1 | E |
| 2320 | JGO. ACC. ROLLGLASS+ 50 KSC V8-10 BRONZE | 1 | K |
| 2340 | JGO. ACC. ROLLGLASS+ 50 KBS V8-10 BRONZE | 1 | L |

| ROLLGLASS+ 100/150 BRONZE | | | |
|---------------------------|--|----|------|
| Ref. | Descripción | U. | Img. |
| 2442 | PFS. ROLLGLASS+ 100/150 BRONZE 2m | 1 | D |
| 2443 | PFS. ROLLGLASS+ 100/150 BRONZE 3m | 1 | D |
| 2444 | PFS. ROLLGLASS+ 100/150 BRONZE 4m | 1 | D |
| 2446 | PFS. ROLLGLASS+ 100/150 BRONZE 6m | 1 | D |
| 2441 | PF. SUPERIOR ROLLGLASS+ 100/150 BRONZE 2m | 1 | E |
| 2445 | PF. SUPERIOR ROLLGLASS+ 100/150 BRONZE 3m | 1 | E |
| 2447 | PF. SUPERIOR ROLLGLASS+ 100/150 BRONZE 4m | 1 | E |
| 2448 | PF. SUPERIOR ROLLGLASS+ 100/150 BRONZE 6m | 1 | E |
| 2380 | JGO. ACC. ROLLGLASS+ 100 KSC V10-12 BRONZE | 1 | Q |
| 2381 | JGO. ACC. ROLLGLASS+ 100 KBS V10-12 BRONZE | 1 | R |
| 2580 | JGO. ACC. ROLLGLASS+ 150 KSC V12 BRONZE | 1 | V |

| ROLLGLASS+ 50 NEGRO | | | |
|---------------------|---|----|------|
| Ref. | Descripción | U. | Img. |
| 2432 | PFS. ROLLGLASS+ 50 NEGRO 2m | 1 | F |
| 2433 | PFS. ROLLGLASS+ 50 NEGRO 3m | 1 | F |
| 2434 | PFS. ROLLGLASS+ 50 NEGRO 4m | 1 | F |
| 2436 | PFS. ROLLGLASS+ 50 NEGRO 6m | 1 | F |
| 2431 | PF. SUPERIOR ROLLGLASS+ 50 NEGRO 2m | 1 | G |
| 2435 | PF. SUPERIOR ROLLGLASS+ 50 NEGRO 3m | 1 | G |
| 2437 | PF. SUPERIOR ROLLGLASS+ 50 NEGRO 4m | 1 | G |
| 2438 | PF. SUPERIOR ROLLGLASS+ 50 NEGRO 6m | 1 | G |
| 2330 | JGO. ACC. ROLLGLASS+ 50 KSC V8-10 NEGRO | 1 | M |
| 2370 | JGO. ACC. ROLLGLASS+ 50 KBS V8-10 NEGRO | 1 | N |

| ROLLGLASS+ 100/150 NEGRO | | | |
|--------------------------|---|----|------|
| Ref. | Descripción | U. | Img. |
| 2452 | PFS. ROLLGLASS+ 100/150 NEGRO 2m | 1 | F |
| 2453 | PFS. ROLLGLASS+ 100/150 NEGRO 3m | 1 | F |
| 2454 | PFS. ROLLGLASS+ 100/150 NEGRO 4m | 1 | F |
| 2456 | PFS. ROLLGLASS+ 100/150 NEGRO 6m | 1 | F |
| 2451 | PF. SUPERIOR ROLLGLASS+ 100/150 NEGRO 2m | 1 | G |
| 2455 | PF. SUPERIOR ROLLGLASS+ 100/150 NEGRO 3m | 1 | G |
| 2457 | PF. SUPERIOR ROLLGLASS+ 100/150 NEGRO 4m | 1 | G |
| 2458 | PF. SUPERIOR ROLLGLASS+ 100/150 NEGRO 6m | 1 | G |
| 2390 | JGO. ACC. ROLLGLASS+ 100 KSC V10-12 NEGRO | 1 | S |
| 2391 | JGO. ACC. ROLLGLASS+ 100 KBS V10-12 NEGRO | 1 | T |
| 2590 | JGO. ACC. ROLLGLASS+ 150 KSC V12 NEGRO | 1 | W |

ENG

| ROLLGLASS+ 50 SILVER | | | |
|----------------------|--|-------|------|
| Ref. | Description | Units | Img. |
| 2402 | PFS. ROLLGLASS+ 50 SILVER 2m | 1 | A |
| 2403 | PFS. ROLLGLASS+ 50 SILVER 3m | 1 | A |
| 2404 | PFS. ROLLGLASS+ 50 SILVER 4m | 1 | A |
| 2406 | PFS. ROLLGLASS+ 50 SILVER 6m | 1 | A |
| 2401 | UPPER PF. ROLLGLASS+ 50 SILVER 2m | 1 | B |
| 2405 | UPPER PF. ROLLGLASS+ 50 SILVER 3m | 1 | B |
| 2407 | UPPER PF. ROLLGLASS+ 50 SILVER 4m | 1 | B |
| 2408 | UPPER PF. ROLLGLASS+ 50 SILVER 6m | 1 | B |
| 2300 | SET OF ACC. ROLLGLASS+ 50 KSC V8-10 SILVER | 1 | I |
| 2310 | SET OF ACC. ROLLGLASS+ 50 KBS V8-10 SILVER | 1 | J |
| 2492 | RECESSED PF. ROLLGLASS+ SILVER 2m | 1 | C |
| 2493 | RECESSED PF. ROLLGLASS+ SILVER 3m | 1 | C |
| 2494 | RECESSED PF. ROLLGLASS+ SILVER 4m | 1 | C |
| 2496 | RECESSED PF. ROLLGLASS+ SILVER 6m | 1 | C |

| ROLLGLASS+ 100/150 SILVER | | | |
|---------------------------|--|-------|------|
| Ref. | Description | Units | Img. |
| 2412 | PFS. ROLLGLASS+ 100/150 SILVER 2m | 1 | A |
| 2413 | PFS. ROLLGLASS+ 100/150 SILVER 3m | 1 | A |
| 2414 | PFS. ROLLGLASS+ 100/150 SILVER 4m | 1 | A |
| 2416 | PFS. ROLLGLASS+ 100/150 SILVER 6m | 1 | A |
| 2411 | UPPER PF. ROLLGLASS+ 100/150 SILVER 2m | 1 | B |
| 2415 | UPPER PF. ROLLGLASS+ 100/150 SILVER 3m | 1 | B |
| 2417 | UPPER PF. ROLLGLASS+ 100/150 SILVER 4m | 1 | B |
| 2418 | UPPER PF. ROLLGLASS+ 100/150 SILVER 6m | 1 | B |
| 2350 | SET OF ACC. ROLLGLASS+ 100 KSC V10-12 SILVER | 1 | O |
| 2360 | SET OF ACC. ROLLGLASS+ 100 KBS V10-12 SILVER | 1 | P |
| 2550 | SET OF ACC. ROLLGLASS+ 150 KSC V12 SILVER | 1 | U |
| 2492 | RECESSED PF. ROLLGLASS+ 100/150 SILVER 2m | 1 | C |
| 2493 | RECESSED PF. ROLLGLASS+ 100/150 SILVER 3m | 1 | C |
| 2494 | RECESSED PF. ROLLGLASS+ 100/150 SILVER 4m | 1 | C |
| 2496 | RECESSED PF. ROLLGLASS+ 100/150 SILVER 6m | 1 | C |

| ROLLGLASS+ 50 BRONZE | | | |
|----------------------|--|-------|------|
| Ref. | Description | Units | Img. |
| 2422 | PFS. ROLLGLASS+ 50 BRONZE 2m | 1 | D |
| 2423 | PFS. ROLLGLASS+ 50 BRONZE 3m | 1 | D |
| 2424 | PFS. ROLLGLASS+ 50 BRONZE 4m | 1 | D |
| 2426 | PFS. ROLLGLASS+ 50 BRONZE 6m | 1 | D |
| 2421 | UPPER PF. ROLLGLASS+ 50 BRONZE 2m | 1 | E |
| 2425 | UPPER PF. ROLLGLASS+ 50 BRONZE 3m | 1 | E |
| 2427 | UPPER PF. ROLLGLASS+ 50 BRONZE 4m | 1 | E |
| 2428 | UPPER PF. ROLLGLASS+ 50 BRONZE 6m | 1 | E |
| 2320 | SET OF ACC. ROLLGLASS+ 50 KSC V8-10 BRONZE | 1 | K |
| 2340 | SET OF ACC. ROLLGLASS+ 50 KBS V8-10 BRONZE | 1 | L |

| ROLLGLASS+ 100/150 BRONZE | | | |
|---------------------------|--|-------|------|
| Ref. | Description | Units | Img. |
| 2442 | PFS. ROLLGLASS+ 100/150 BRONZE 2m | 1 | D |
| 2443 | PFS. ROLLGLASS+ 100/150 BRONZE 3m | 1 | D |
| 2444 | PFS. ROLLGLASS+ 100/150 BRONZE 4m | 1 | D |
| 2446 | PFS. ROLLGLASS+ 100/150 BRONZE 6m | 1 | D |
| 2441 | UPPER PF. ROLLGLASS+ 100/150 BRONZE 2m | 1 | E |
| 2445 | UPPER PF. ROLLGLASS+ 100/150 BRONZE 3m | 1 | E |
| 2447 | UPPER PF. ROLLGLASS+ 100/150 BRONZE 4m | 1 | E |
| 2448 | UPPER PF. ROLLGLASS+ 100/150 BRONZE 6m | 1 | E |
| 2380 | SET OF ACC. ROLLGLASS+ 100 KSC V10-12 BRONZE | 1 | Q |
| 2381 | SET OF ACC. ROLLGLASS+ 100 KBS V10-12 BRONZE | 1 | R |
| 2580 | SET OF ACC. ROLLGLASS+ 150 KSC V12 BRONZE | 1 | V |

| ROLLGLASS+ 50 BLACK | | | |
|---------------------|---|-------|------|
| Ref. | Description | Units | Img. |
| 2432 | PFS. ROLLGLASS+ 50 BLACK 2m | 1 | F |
| 2433 | PFS. ROLLGLASS+ 50 BLACK 3m | 1 | F |
| 2434 | PFS. ROLLGLASS+ 50 BLACK 4m | 1 | F |
| 2436 | PFS. ROLLGLASS+ 50 BLACK 6m | 1 | F |
| 2431 | UPPER PF. ROLLGLASS+ 50 BLACK 2m | 1 | G |
| 2435 | UPPER PF. ROLLGLASS+ 50 BLACK 3m | 1 | G |
| 2437 | UPPER PF. ROLLGLASS+ 50 BLACK 4m | 1 | G |
| 2438 | UPPER PF. ROLLGLASS+ 50 BLACK 6m | 1 | G |
| 2330 | SET OF ACC. ROLLGLASS+ 50 KSC V8-10 BLACK | 1 | M |
| 2370 | SET OF ACC. ROLLGLASS+ 50 KBS V8-10 BLACK | 1 | N |

| ROLLGLASS+ 100/150 BLACK | | | |
|--------------------------|---|-------|------|
| Ref. | Description | Units | Img. |
| 2452 | PFS. ROLLGLASS+ 100/150 BLACK 2m | 1 | F |
| 2453 | PFS. ROLLGLASS+ 100/150 BLACK 3m | 1 | F |
| 2454 | PFS. ROLLGLASS+ 100/150 BLACK 4m | 1 | F |
| 2456 | PFS. ROLLGLASS+ 100/150 BLACK 6m | 1 | F |
| 2451 | UPPER PF. ROLLGLASS+ 100/150 BLACK 2m | 1 | G |
| 2455 | UPPER PF. ROLLGLASS+ 100/150 BLACK 3m | 1 | G |
| 2457 | UPPER PF. ROLLGLASS+ 100/150 BLACK 4m | 1 | G |
| 2458 | UPPER PF. ROLLGLASS+ 100/150 BLACK 6m | 1 | G |
| 2390 | SET OF ACC. ROLLGLASS+ 100 KSC V10-12 BLACK | 1 | S |
| 2391 | SET OF ACC. ROLLGLASS+ 100 KBS V10-12 BLACK | 1 | T |
| 2590 | SET OF ACC. ROLLGLASS+ 150 KSC V12 BLACK | 1 | W |

REFERENCIAS / REFERENCES / REFERÊNCIAS / REFERÈNCIES

POR

| ROLLGLASS+ 50 SILVER | | | |
|----------------------|--|----|------|
| Ref. | Descrição | U. | Img. |
| 2402 | PFS. ROLLGLASS+ 50 SILVER 2 m | 1 | A |
| 2403 | PFS. ROLLGLASS+ 50 SILVER 3 m | 1 | A |
| 2404 | PFS. ROLLGLASS+ 50 SILVER 4 m | 1 | A |
| 2406 | PFS. ROLLGLASS+ 50 SILVER 6 m | 1 | A |
| 2401 | PF. SUPERIOR ROLLGLASS+ 50 SILVER 2 m | 1 | B |
| 2405 | PF. SUPERIOR ROLLGLASS+ 50 SILVER 3 m | 1 | B |
| 2407 | PF. SUPERIOR ROLLGLASS+ 50 SILVER 4 m | 1 | B |
| 2408 | PF. SUPERIOR ROLLGLASS+ 50 SILVER 6 m | 1 | B |
| 2300 | CONJUNTO ACC. ROLLGLASS+ 50 KSC V8-10 SILVER | 1 | I |
| 2310 | CONJUNTO ACC. ROLLGLASS+ 50 KBS V8-10 SILVER | 1 | J |
| 2492 | PFS. TETO FALSO ROLLGLASS+ SILVER 2 m | 1 | C |
| 2493 | PFS. TETO FALSO ROLLGLASS+ SILVER 3 m | 1 | C |
| 2494 | PFS. TETO FALSO ROLLGLASS+ SILVER 4 m | 1 | C |
| 2496 | PFS. TETO FALSO ROLLGLASS+ SILVER 6 m | 1 | C |

| ROLLGLASS+ 100/150 SILVER | | | |
|---------------------------|--|----|------|
| Ref. | Descrição | U. | Img. |
| 2412 | PFS. ROLLGLASS+ 100/150 SILVER 2 m | 1 | A |
| 2413 | PFS. ROLLGLASS+ 100/150 SILVER 3 m | 1 | A |
| 2414 | PFS. ROLLGLASS+ 100/150 SILVER 4 m | 1 | A |
| 2416 | PFS. ROLLGLASS+ 100/150 SILVER 6 m | 1 | A |
| 2411 | PF. SUPERIOR ROLLGLASS+ 100/150 SILVER 2 m | 1 | B |
| 2415 | PF. SUPERIOR ROLLGLASS+ 100/150 SILVER 3 m | 1 | B |
| 2417 | PF. SUPERIOR ROLLGLASS+ 100/150 SILVER 4 m | 1 | B |
| 2418 | PF. SUPERIOR ROLLGLASS+ 100/150 SILVER 6 m | 1 | B |
| 2350 | CONJUNTO ACC. ROLLGLASS+ 100 KSC V10-12 SILVER | 1 | O |
| 2360 | CONJUNTO ACC. ROLLGLASS+ 100 KBS V10-12 SILVER | 1 | P |
| 2550 | CONJUNTO ACC. ROLLGLASS+ 150 KSC V12 SILVER | 1 | U |
| 2492 | PFS. TETO FALSO ROLLGLASS+ 100/150 SILVER 2 m | 1 | C |
| 2493 | PFS. TETO FALSO ROLLGLASS+ 100/150 SILVER 3 m | 1 | C |
| 2494 | PFS. TETO FALSO ROLLGLASS+ 100/150 SILVER 4 m | 1 | C |
| 2496 | PFS. TETO FALSO ROLLGLASS+ 100/150 SILVER 6 m | 1 | C |

| ROLLGLASS+ 50 BRONZE | | | |
|----------------------|--|----|------|
| Ref. | Descrição | U. | Img. |
| 2422 | PFS. ROLLGLASS+ 50 BRONZE 2 m | 1 | D |
| 2423 | PFS. ROLLGLASS+ 50 BRONZE 3 m | 1 | D |
| 2424 | PFS. ROLLGLASS+ 50 BRONZE 4 m | 1 | D |
| 2426 | PFS. ROLLGLASS+ 50 BRONZE 6 m | 1 | D |
| 2421 | PF. SUPERIOR ROLLGLASS+ 50 BRONZE 2 m | 1 | E |
| 2425 | PF. SUPERIOR ROLLGLASS+ 50 BRONZE 3 m | 1 | E |
| 2427 | PF. SUPERIOR ROLLGLASS+ 50 BRONZE 4 m | 1 | E |
| 2428 | PF. SUPERIOR ROLLGLASS+ 50 BRONZE 6 m | 1 | E |
| 2320 | CONJUNTO ACC. ROLLGLASS+ 50 KSC V8-10 BRONZE | 1 | K |
| 2340 | CONJUNTO ACC. ROLLGLASS+ 50 KBS V8-10 BRONZE | 1 | L |

| ROLLGLASS+ 100/150 BRONZE | | | |
|---------------------------|--|----|------|
| Ref. | Descrição | U. | Img. |
| 2442 | PFS. ROLLGLASS+ 100/150 BRONZE 2 m | 1 | D |
| 2443 | PFS. ROLLGLASS+ 100/150 BRONZE 3 m | 1 | D |
| 2444 | PFS. ROLLGLASS+ 100/150 BRONZE 4 m | 1 | D |
| 2446 | PFS. ROLLGLASS+ 100/150 BRONZE 6 m | 1 | D |
| 2441 | PF. SUPERIOR ROLLGLASS+ 100/150 BRONZE 2 m | 1 | E |
| 2445 | PF. SUPERIOR ROLLGLASS+ 100/150 BRONZE 3 m | 1 | E |
| 2447 | PF. SUPERIOR ROLLGLASS+ 100/150 BRONZE 4 m | 1 | E |
| 2448 | PF. SUPERIOR ROLLGLASS+ 100/150 BRONZE 6 m | 1 | E |
| 2380 | CONJUNTO ACC. ROLLGLASS+ 100 KSC V10-12 BRONZE | 1 | Q |
| 2381 | CONJUNTO ACC. ROLLGLASS+ 100 KBS V10-12 BRONZE | 1 | R |
| 2580 | CONJUNTO ACC. ROLLGLASS+ 150 KSC V12 BRONZE | 1 | V |

| ROLLGLASS+ 50 PRETO | | | |
|---------------------|---|----|------|
| Ref. | Descrição | U. | Img. |
| 2432 | PFS. ROLLGLASS+ 50 PRETO 2 m | 1 | F |
| 2433 | PFS. ROLLGLASS+ 50 PRETO 3 m | 1 | F |
| 2434 | PFS. ROLLGLASS+ 50 PRETO 4 m | 1 | F |
| 2436 | PFS. ROLLGLASS+ 50 PRETO 6 m | 1 | F |
| 2431 | PF. SUPERIOR ROLLGLASS+ 50 PRETO 2 m | 1 | G |
| 2435 | PF. SUPERIOR ROLLGLASS+ 50 PRETO 3 m | 1 | G |
| 2437 | PF. SUPERIOR ROLLGLASS+ 50 PRETO 4 m | 1 | G |
| 2438 | PF. SUPERIOR ROLLGLASS+ 50 PRETO 6 m | 1 | G |
| 2330 | CONJUNTO ACC. ROLLGLASS+ 50 KSC V8-10 PRETO | 1 | M |
| 2370 | CONJUNTO ACC. ROLLGLASS+ 50 KBS V8-10 PRETO | 1 | N |

| ROLLGLASS+ 100/150 PRETO | | | |
|--------------------------|---|----|------|
| Ref. | Descrição | U. | Img. |
| 2452 | PFS. ROLLGLASS+ 100/150 PRETO 2 m | 1 | F |
| 2453 | PFS. ROLLGLASS+ 100/150 PRETO 3 m | 1 | F |
| 2454 | PFS. ROLLGLASS+ 100/150 PRETO 4 m | 1 | F |
| 2456 | PFS. ROLLGLASS+ 100/150 PRETO 6 m | 1 | F |
| 2451 | PF. SUPERIOR ROLLGLASS+ 100/150 PRETO 2 m | 1 | G |
| 2455 | PF. SUPERIOR ROLLGLASS+ 100/150 PRETO 3 m | 1 | G |
| 2457 | PF. SUPERIOR ROLLGLASS+ 100/150 PRETO 4 m | 1 | G |
| 2458 | PF. SUPERIOR ROLLGLASS+ 100/150 PRETO 6 m | 1 | G |
| 2390 | CONJUNTO ACC. ROLLGLASS+ 100 KSC V10-12 PRETO | 1 | S |
| 2391 | CONJUNTO ACC. ROLLGLASS+ 100 KBS V10-12 PRETO | 1 | T |
| 2590 | CONJUNTO ACC. ROLLGLASS+ 150 KSC V12 PRETO | 1 | W |

CAT

| ROLLGLASS+ 50 SILVER | | | |
|----------------------|--|----|------|
| Ref. | Descripció | U. | Img. |
| 2402 | PERFILS ROLLGLASS+ 50 SILVER 2m | 1 | A |
| 2403 | PERFILS ROLLGLASS+ 50 SILVER 3m | 1 | A |
| 2404 | PERFILS ROLLGLASS+ 50 SILVER 4m | 1 | A |
| 2406 | PERFILS ROLLGLASS+ 50 SILVER 6m | 1 | A |
| 2401 | PERFIL SUPERIOR ROLLGLASS+ 50 SILVER 2m | 1 | B |
| 2405 | PERFIL SUPERIOR ROLLGLASS+ 50 SILVER 3m | 1 | B |
| 2407 | PERFIL SUPERIOR ROLLGLASS+ 50 SILVER 4m | 1 | B |
| 2408 | PERFIL SUPERIOR ROLLGLASS+ 50 SILVER 6m | 1 | B |
| 2300 | JOC ACC. ROLLGLASS+ 50 KSC V8-10 SILVER | 1 | I |
| 2310 | JOC ACC. ROLLGLASS+ 50 KBS V8-10 SILVER | 1 | J |
| 2492 | PERFIL FALSE SOSTRE ROLLGLASS+ SILVER 2m | 1 | C |
| 2493 | PERFIL FALSE SOSTRE ROLLGLASS+ SILVER 3m | 1 | C |
| 2494 | PERFIL FALSE SOSTRE ROLLGLASS+ SILVER 4m | 1 | C |
| 2496 | PERFIL FALSE SOSTRE ROLLGLASS+ SILVER 6m | 1 | C |

| ROLLGLASS+ 100/150 SILVER | | | |
|---------------------------|--|----|------|
| Ref. | Descripció | U. | Img. |
| 2412 | PERFILS ROLLGLASS+ 100/150 SILVER 2m | 1 | A |
| 2413 | PERFILS ROLLGLASS+ 100/150 SILVER 3m | 1 | A |
| 2414 | PERFILS ROLLGLASS+ 100/150 SILVER 4m | 1 | A |
| 2416 | PERFILS ROLLGLASS+ 100/150 SILVER 6m | 1 | A |
| 2411 | PERFIL SUPERIOR ROLLGLASS+ 100/150 SILVER 2m | 1 | B |
| 2415 | PERFIL SUPERIOR ROLLGLASS+ 100/150 SILVER 3m | 1 | B |
| 2417 | PERFIL SUPERIOR ROLLGLASS+ 100/150 SILVER 4m | 1 | B |
| 2418 | PERFIL SUPERIOR ROLLGLASS+ 100/150 SILVER 6m | 1 | B |
| 2350 | JOC ACC. ROLLGLASS+ 100 KSC V10-12 SILVER | 1 | O |
| 2360 | JOC ACC. ROLLGLASS+ 100 KBS V10-12 SILVER | 1 | P |
| 2550 | JOC ACC. ROLLGLASS+ 150 KSC V12 SILVER | 1 | U |
| 2492 | PERFIL FALSE SOSTRE ROLLGLASS+ 100/150 SILVER 2m | 1 | C |
| 2493 | PERFIL FALSE SOSTRE ROLLGLASS+ 100/150 SILVER 3m | 1 | C |
| 2494 | PERFIL FALSE SOSTRE ROLLGLASS+ 100/150 SILVER 4m | 1 | C |
| 2496 | PERFIL FALSE SOSTRE ROLLGLASS+ 100/150 SILVER 6m | 1 | C |

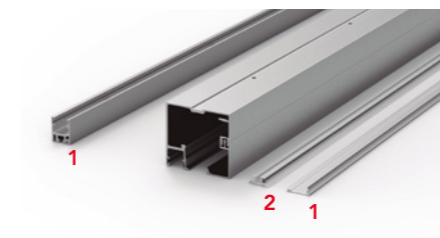
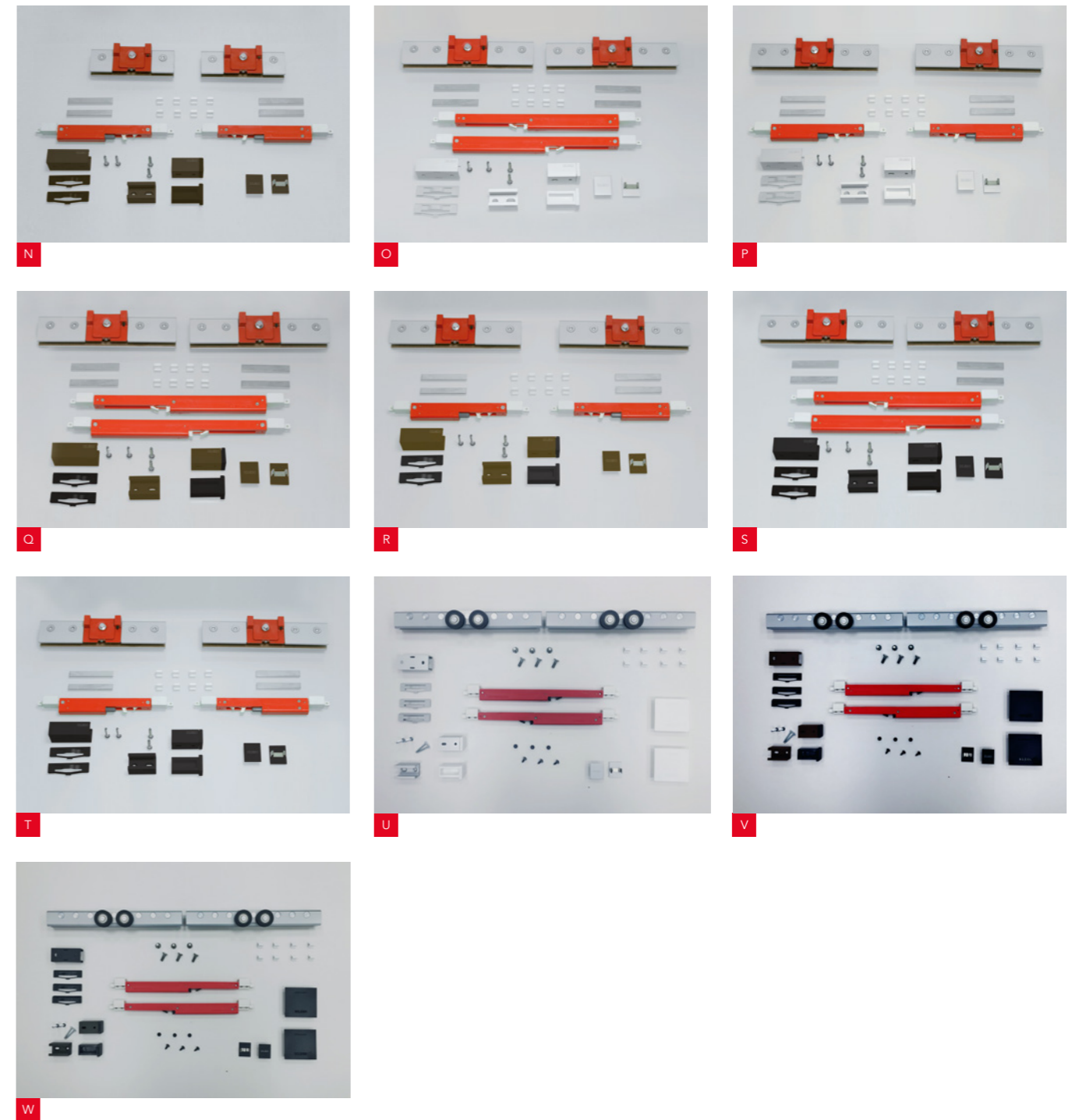
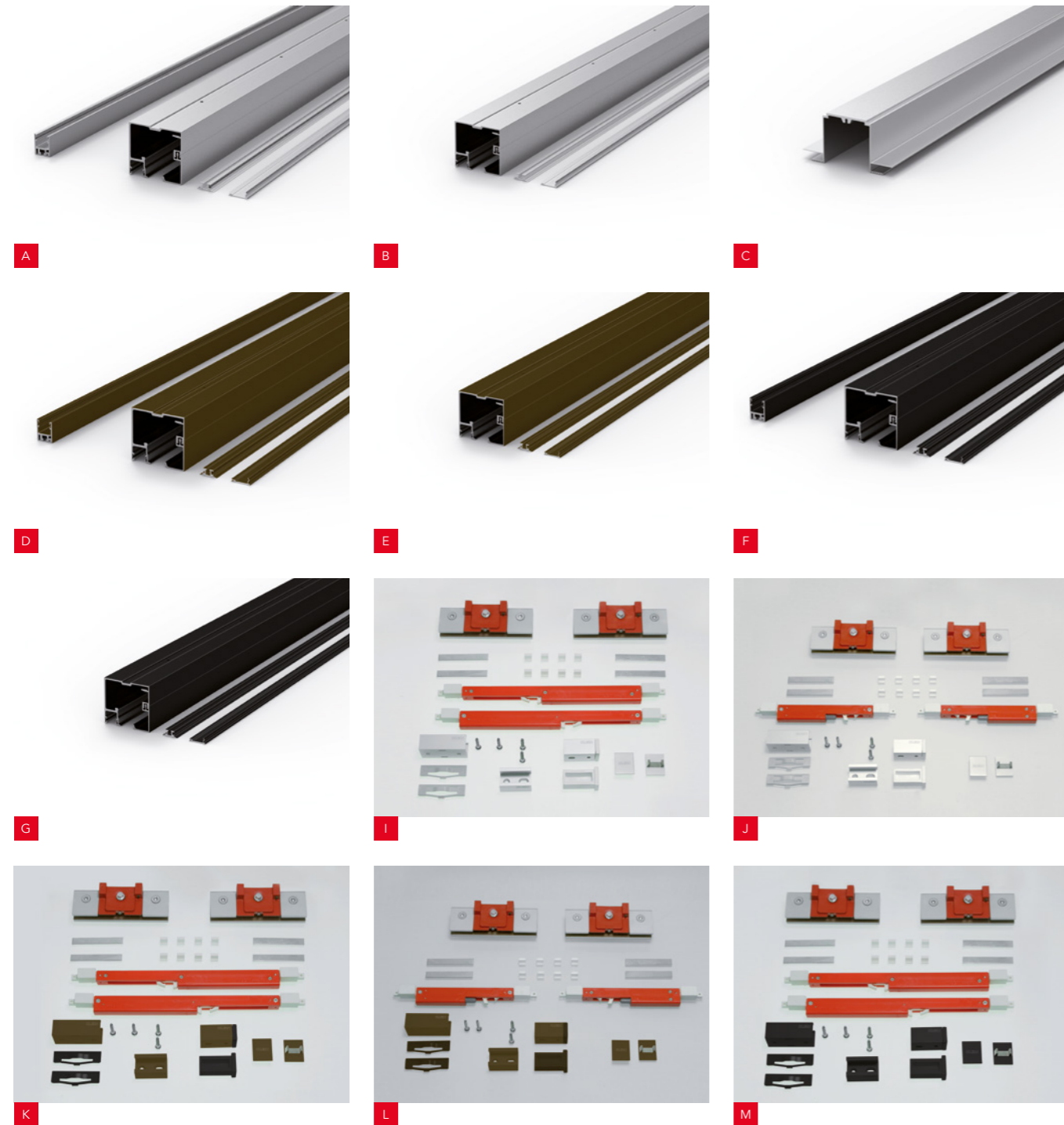
| ROLLGLASS+ 50 BRONZE | | | |
|----------------------|---|----|------|
| Ref. | Descripció | U. | Img. |
| 2422 | PERFILS ROLLGLASS+ 50 BRONZE 2m | 1 | D |
| 2423 | PERFILS ROLLGLASS+ 50 BRONZE 3m | 1 | D |
| 2424 | PERFILS ROLLGLASS+ 50 BRONZE 4m | 1 | D |
| 2426 | PERFILS ROLLGLASS+ 50 BRONZE 6m | 1 | D |
| 2421 | PERFIL SUPERIOR ROLLGLASS+ 50 BRONZE 2m | 1 | E |
| 2425 | PERFIL SUPERIOR ROLLGLASS+ 50 BRONZE 3m | 1 | E |
| 2427 | PERFIL SUPERIOR ROLLGLASS+ 50 BRONZE 4m | 1 | E |
| 2428 | PERFIL SUPERIOR ROLLGLASS+ 50 BRONZE 6m | 1 | E |
| 2320 | JOC ACC. ROLLGLASS+ 50 KSC V8-10 BRONZE | 1 | K |
| 2340 | JOC ACC. ROLLGLASS+ 50 KBS V8-10 BRONZE | 1 | L |

| ROLLGLASS+ 100/150 BRONZE | | | |
|---------------------------|--|----|------|
| Ref. | Descripció | U. | Img. |
| 2442 | PERFILS ROLLGLASS+ 100/150 BRONZE 2m | 1 | D |
| 2443 | PERFILS ROLLGLASS+ 100/150 BRONZE 3m | 1 | D |
| 2444 | PERFILS ROLLGLASS+ 100/150 BRONZE 4m | 1 | D |
| 2446 | PERFILS ROLLGLASS+ 100/150 BRONZE 6m | 1 | D |
| 2441 | PERFIL SUPERIOR ROLLGLASS+ 100/150 BRONZE 2m | 1 | E |
| 2445 | PERFIL SUPERIOR ROLLGLASS+ 100/150 BRONZE 3m | 1 | E |
| 2447 | PERFIL SUPERIOR ROLLGLASS+ 100/150 BRONZE 4m | 1 | E |
| 2448 | PERFIL SUPERIOR ROLLGLASS+ 100/150 BRONZE 6m | 1 | E |
| 2380 | JOC ACC. ROLLGLASS+ 100 KSC V10-12 BRONZE | 1 | Q |
| 2381 | JOC ACC. ROLLGLASS+ 100 KBS V10-12 BRONZE | 1 | R |
| 2580 | JOC ACC. ROLLGLASS+ 150 KSC V12 BRONZE | 1 | V |

| ROLLGLASS+ 50 NEGRE | | | |
|---------------------|--|----|------|
| Ref. | Descripció | U. | Img. |
| 2432 | PERFILS ROLLGLASS+ 50 NEGRE 2m | 1 | F |
| 2433 | PERFILS ROLLGLASS+ 50 NEGRE 3m | 1 | F |
| 2434 | PERFILS ROLLGLASS+ 50 NEGRE 4m | 1 | F |
| 2436 | PERFILS ROLLGLASS+ 50 NEGRE 6m | 1 | F |
| 2431 | PERFIL SUPERIOR ROLLGLASS+ 50 NEGRE 2m | 1 | G |
| 2435 | PERFIL SUPERIOR ROLLGLASS+ 50 NEGRE 3m | 1 | G |
| 2437 | PERFIL SUPERIOR ROLLGLASS+ 50 NEGRE 4m | 1 | G |
| 2438 | PERFIL SUPERIOR ROLLGLASS+ 50 NEGRE 6m | 1 | G |
| 2330 | JOC ACC. ROLLGLASS+ 50 KSC V8-10 NEGRE | 1 | M |
| 2370 | JOC ACC. ROLLGLASS+ 50 KBS V8-10 NEGRE | 1 | N |

| ROLLGLASS+ 100/150 NEGRE | | | |
|--------------------------|---|----|------|
| Ref. | Descripció | U. | Img. |
| 2452 | PERFILS ROLLGLASS+ 100/150 NEGRE 2m | 1 | F |
| 2453 | PERFILS ROLLGLASS+ 100/150 NEGRE 3m | 1 | F |
| 2454 | PERFILS ROLLGLASS+ 100/150 NEGRE 4m | 1 | F |
| 2456 | PERFILS ROLLGLASS+ 100/150 NEGRE 6m | 1 | F |
| 2451 | PERFIL SUPERIOR ROLLGLASS+ 100/150 NEGRE 2m | 1 | G |
| 2455 | PERFIL SUPERIOR ROLLGLASS+ 100/150 NEGRE 3m | 1 | G |
| 2457 | PERFIL SUPERIOR ROLLGLASS+ 100/150 NEGRE 4m | 1 | G |
| 2458 | PERFIL SUPERIOR ROLLGLASS+ 100/150 NEGRE 6m | 1 | G |
| 2390 | JOC ACC. ROLLGLASS+ 100 KSC V10-12 NEGRE | 1 | S |
| 2391 | JOC ACC. ROLLGLASS+ 100 KBS V10-12 NEGRE | 1 | T |
| 2590 | JOC ACC. ROLLGLASS+ 150 KSC V12 NEGRE | 1 | W |

REFERENCIAS / REFERENCES / REFERÊNCIAS / REFERÈNCIES



MEDIDAS DE LA PERFILERIA / PROFILE'S DIMENSION /
MEDIDAS DOS PERFIS / MESURES DE LA PERFILERIA

| | |
|----------|--|
| A | Longitud del perfil superior / Upper profile length / Comprimento do perfil superior / Longitud del perfil superior |
| 1 | A - 0,5 mts |
| 2 | A / 2 |

KLEIN®

KLEIN EUROPE
Edificio KLEIN
Polígono Industrial Can Cuyás
N-150 Km. 1
08110 Montcada i Reixac
Barcelona (Spain)

Tel.: +34 935 760 101
Fax: +34 935 760 109

+Info
klein@klein.es
www.klein.es

Síguenos en redes
Follow us on social media

