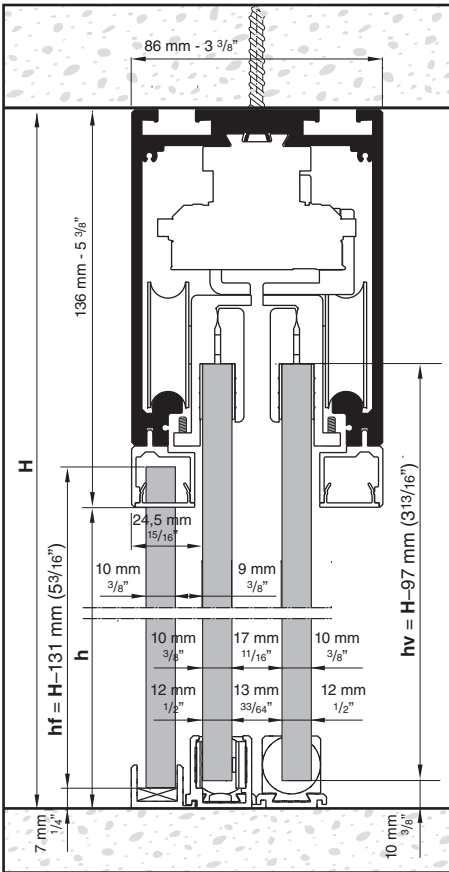
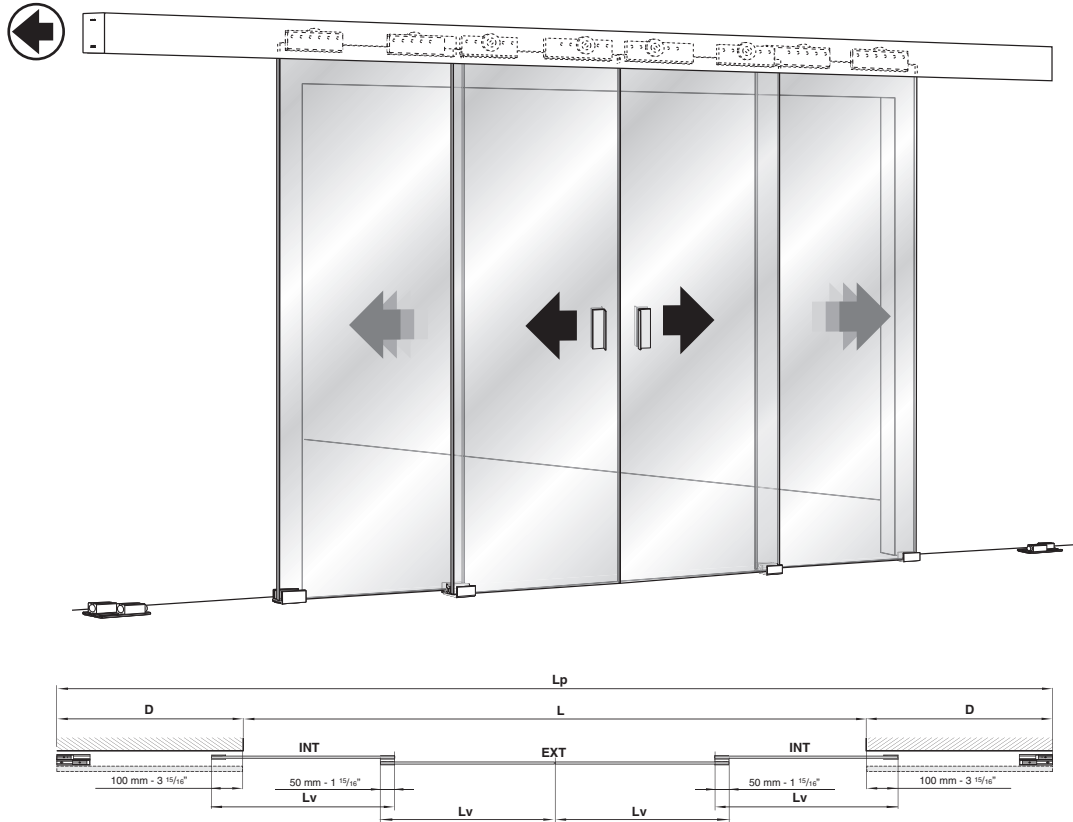
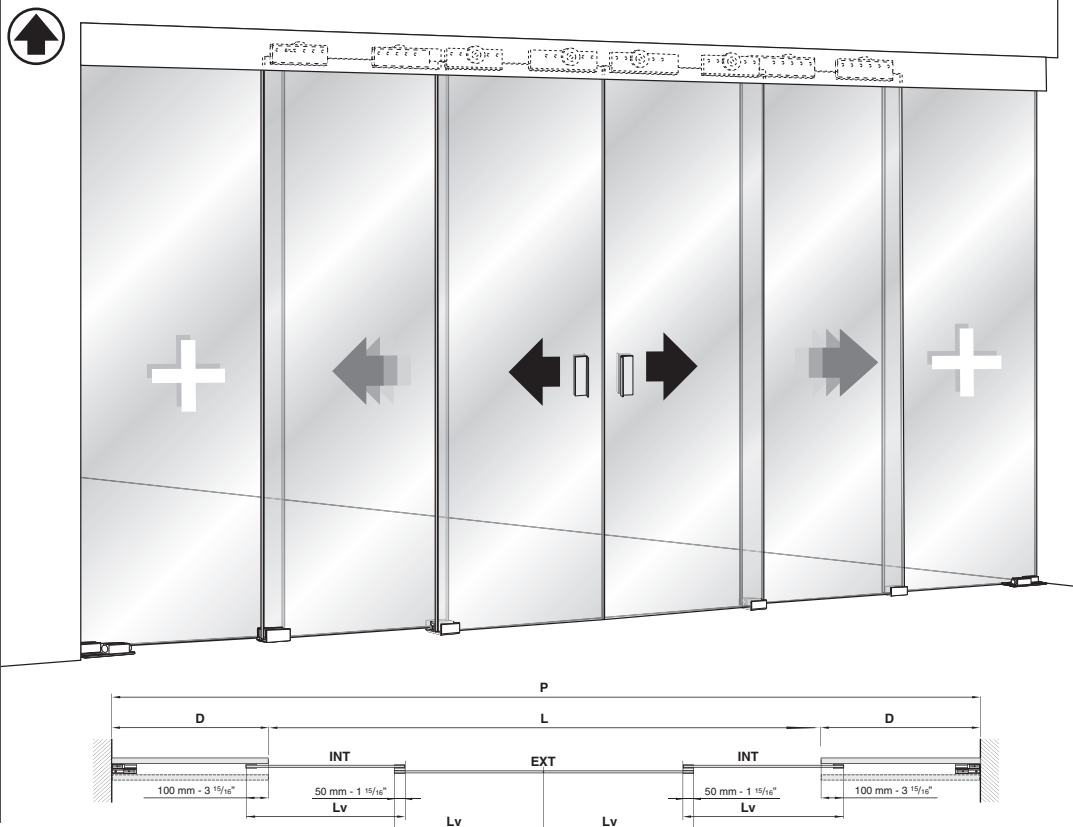


Instal. lateral

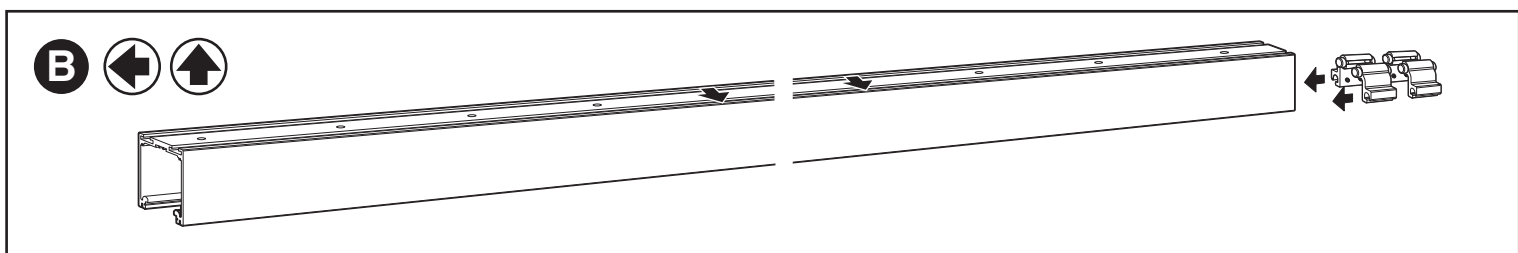
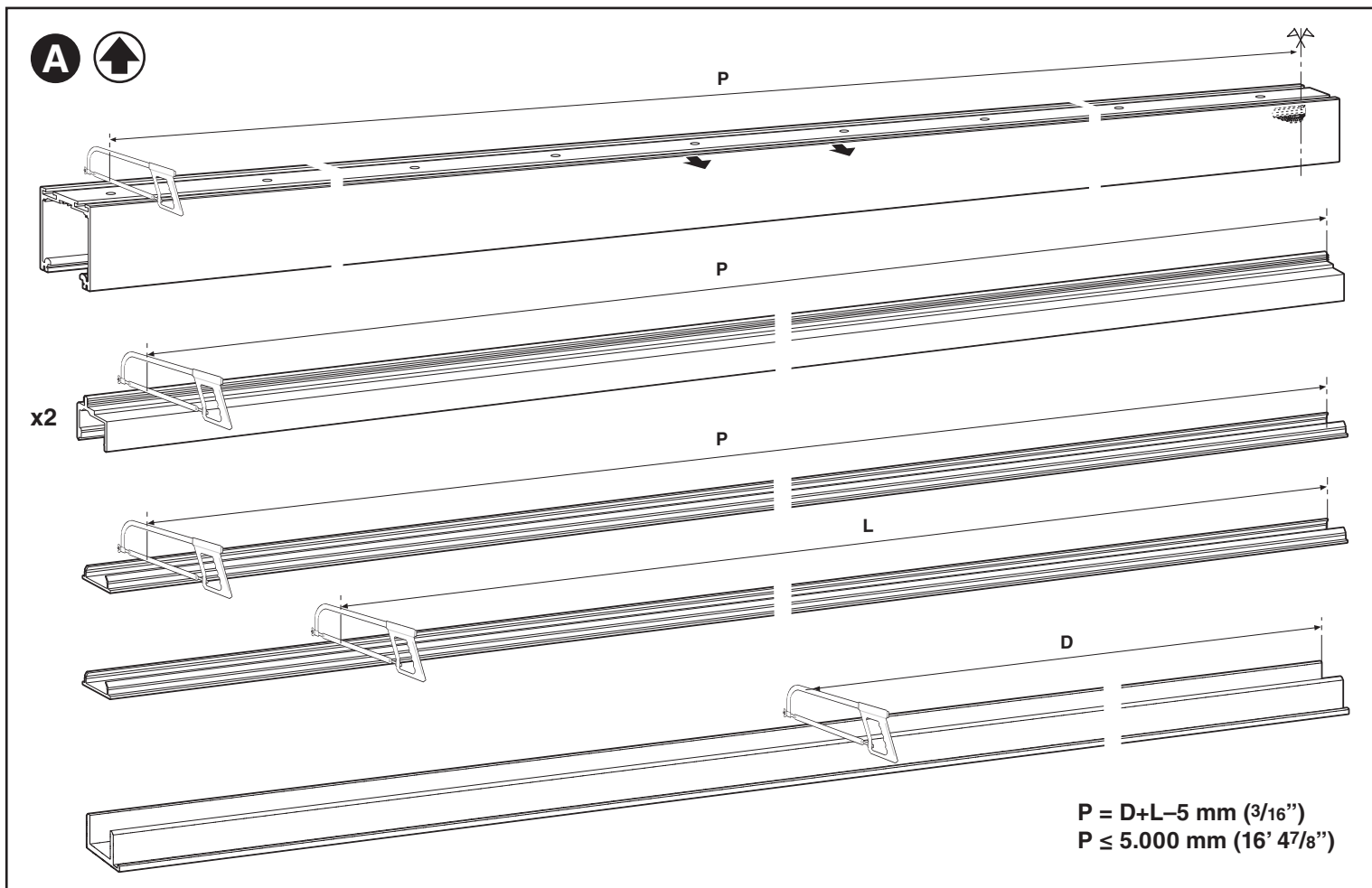
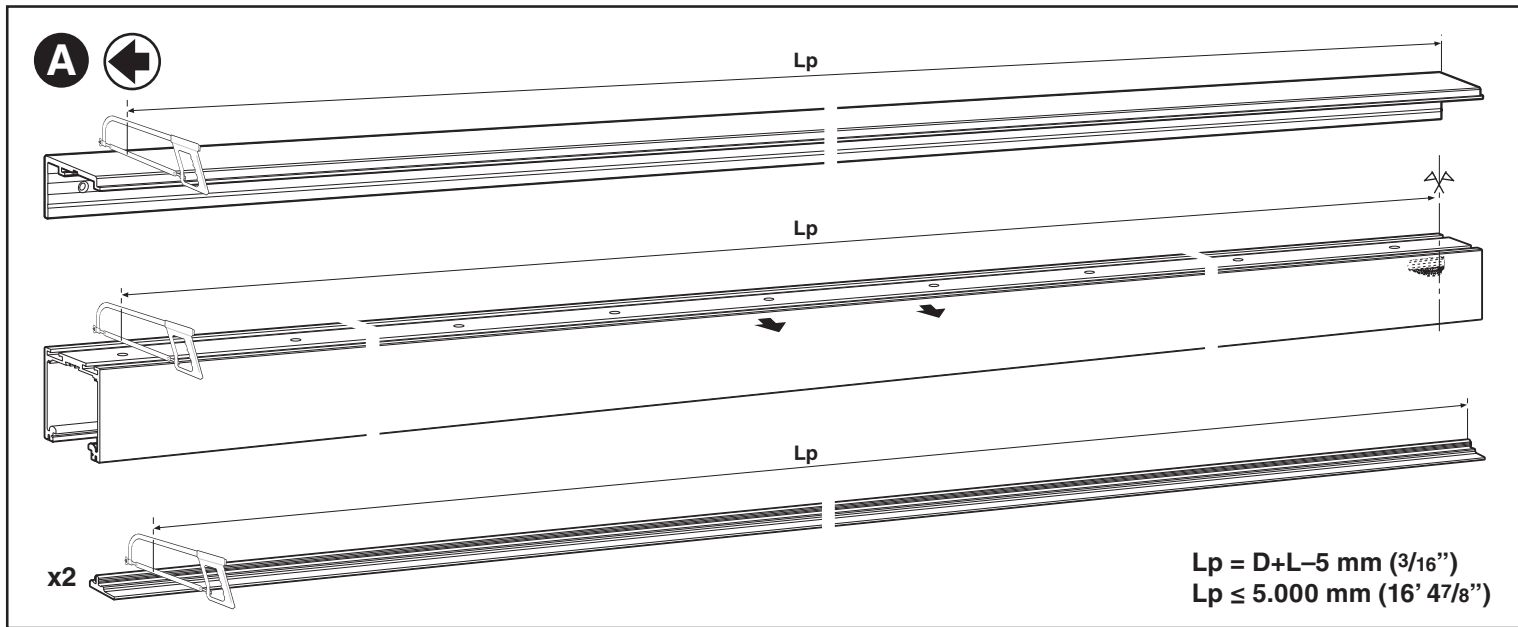


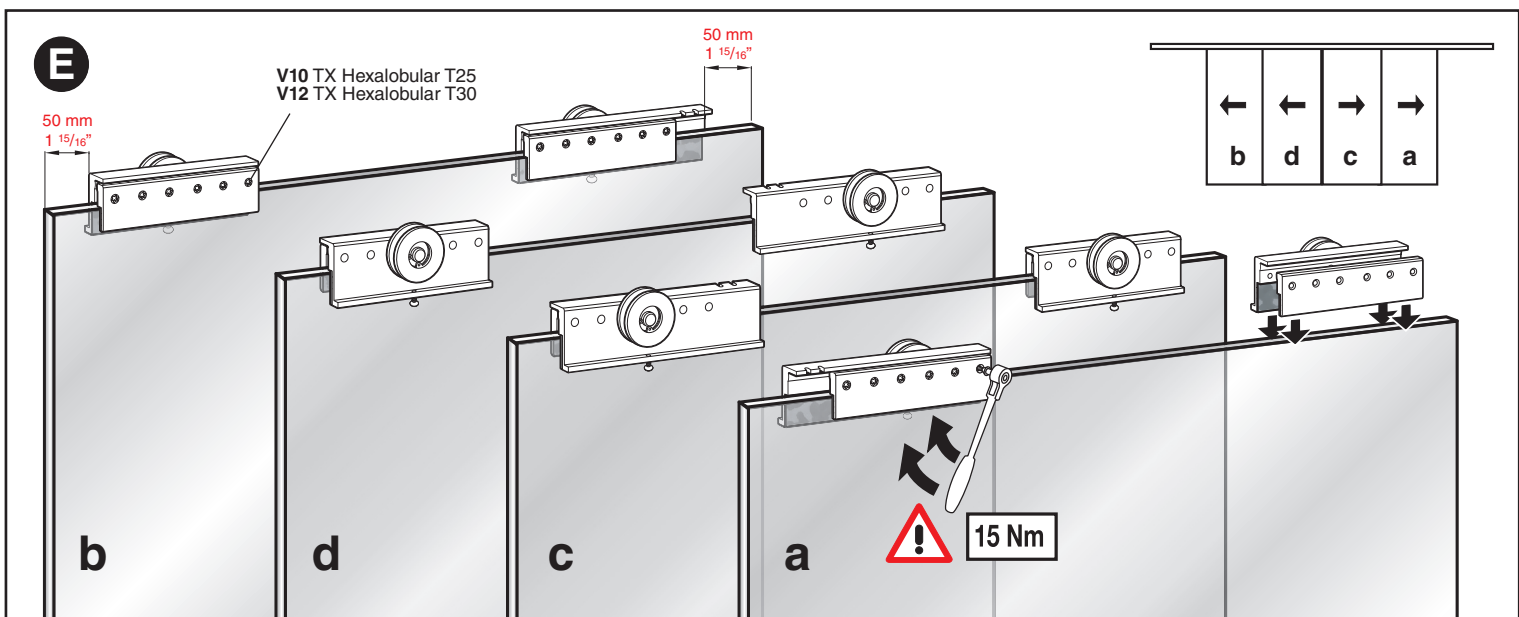
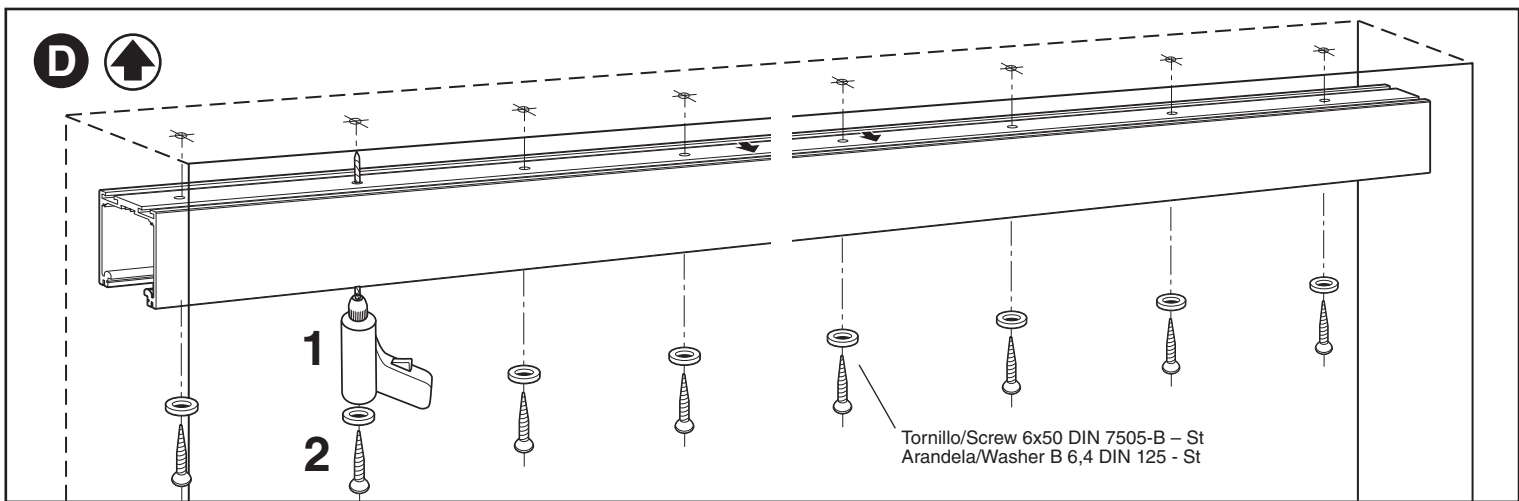
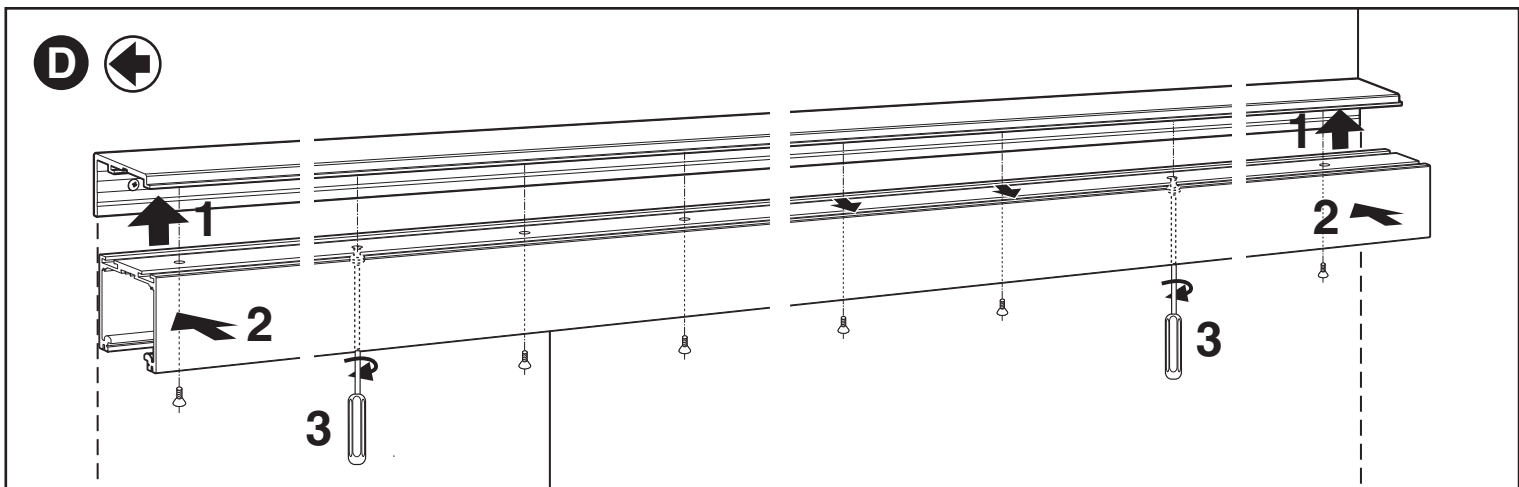
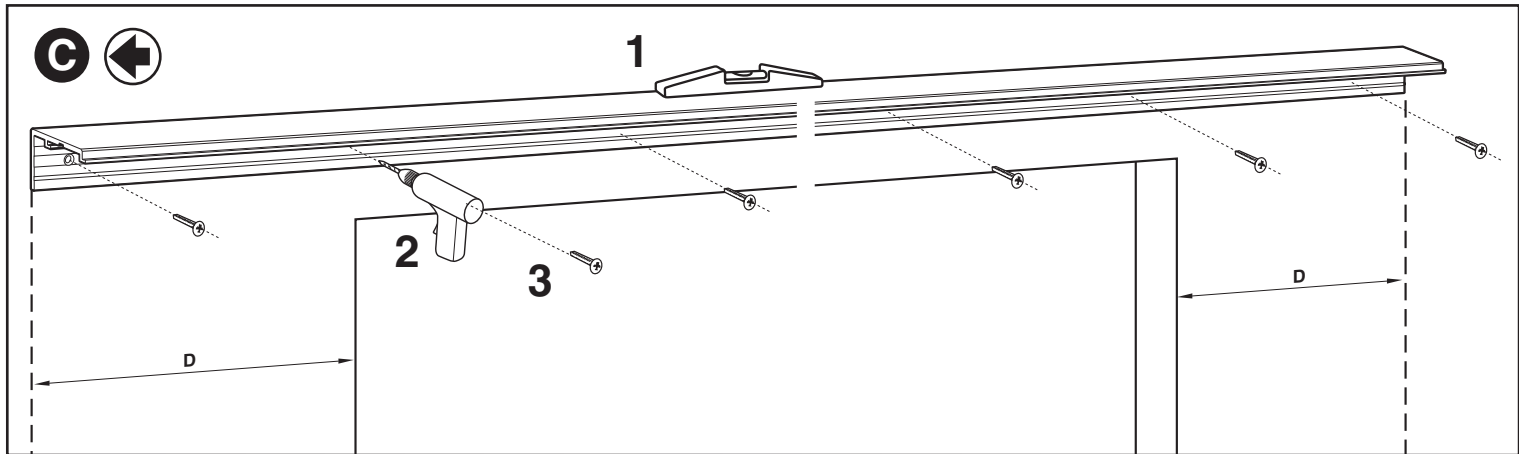
Instal. superior

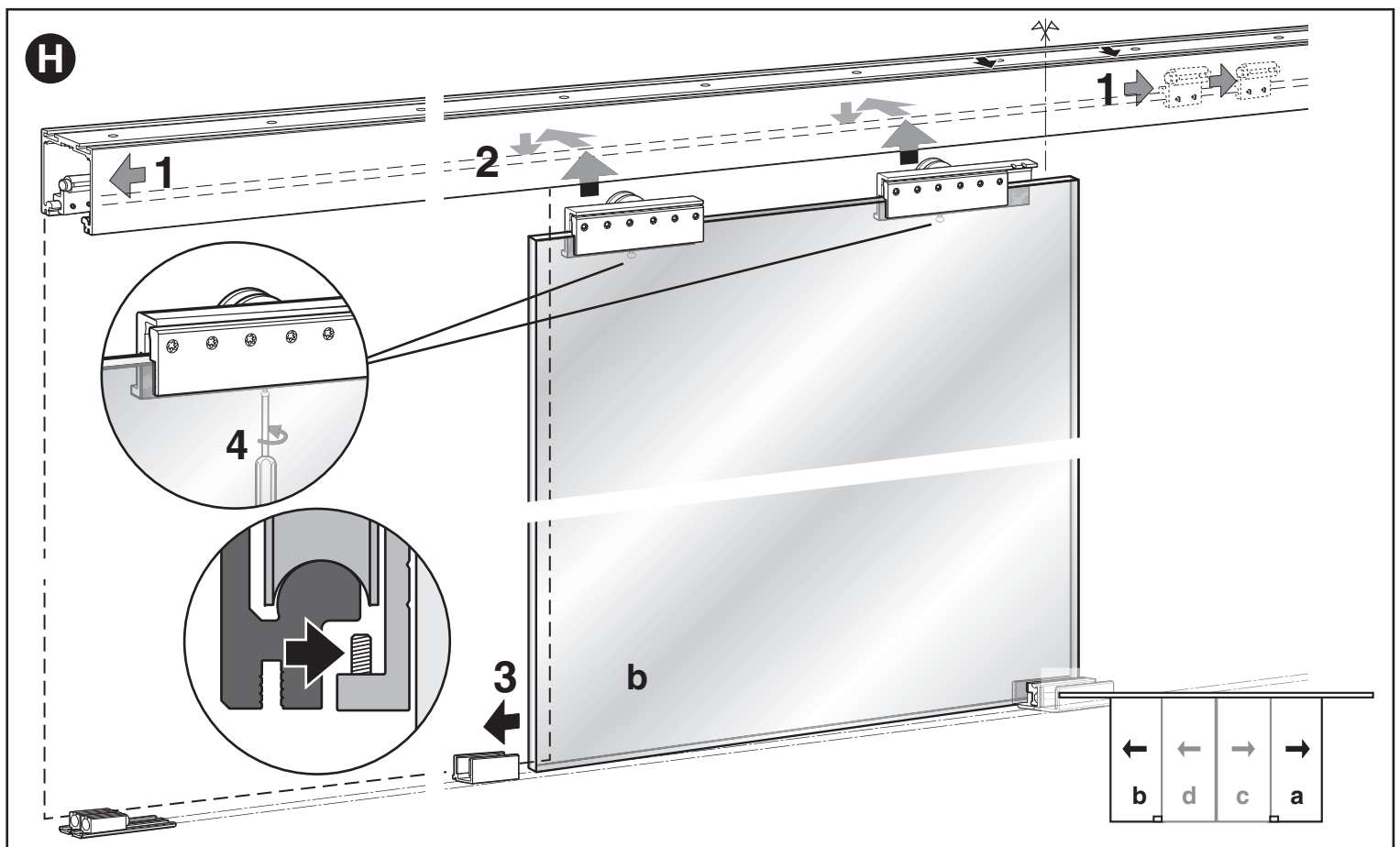
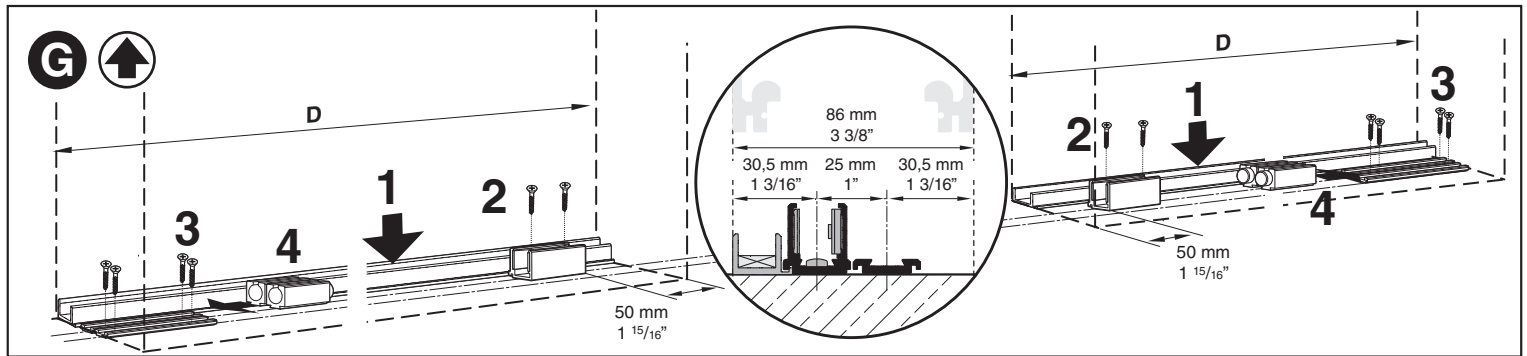
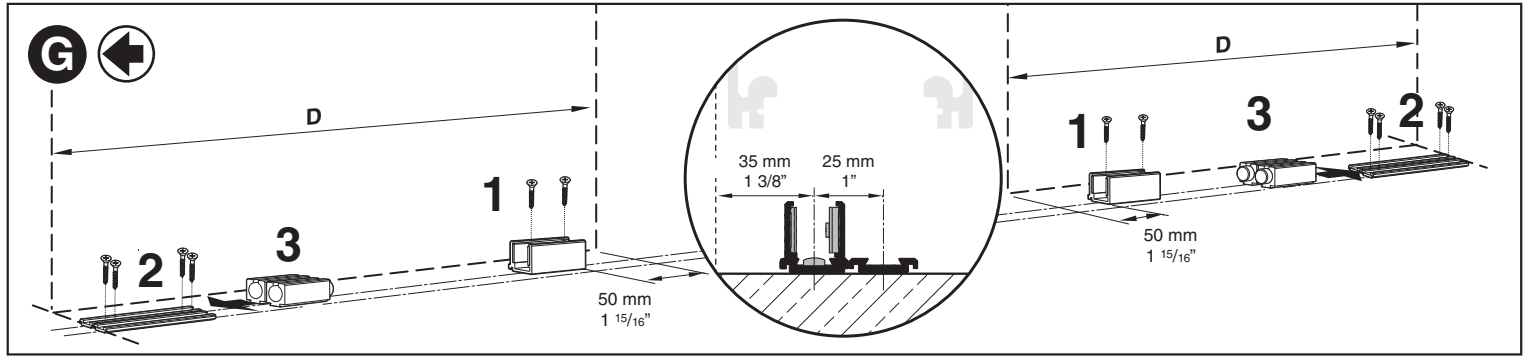
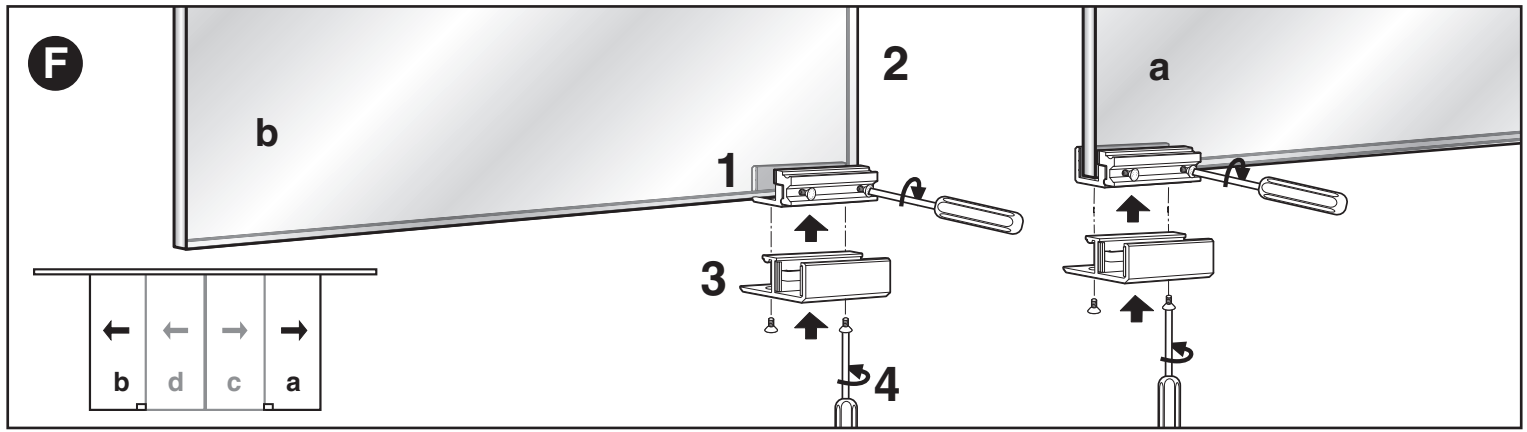


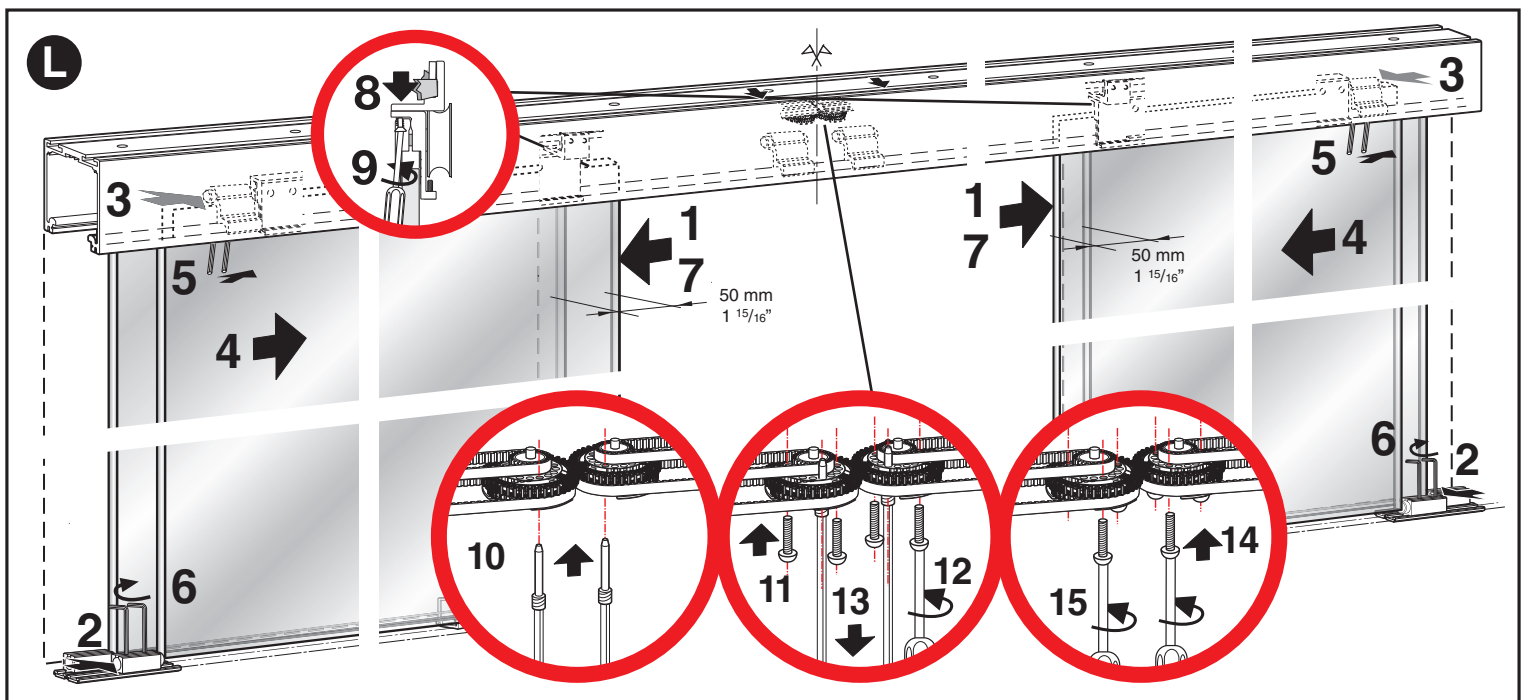
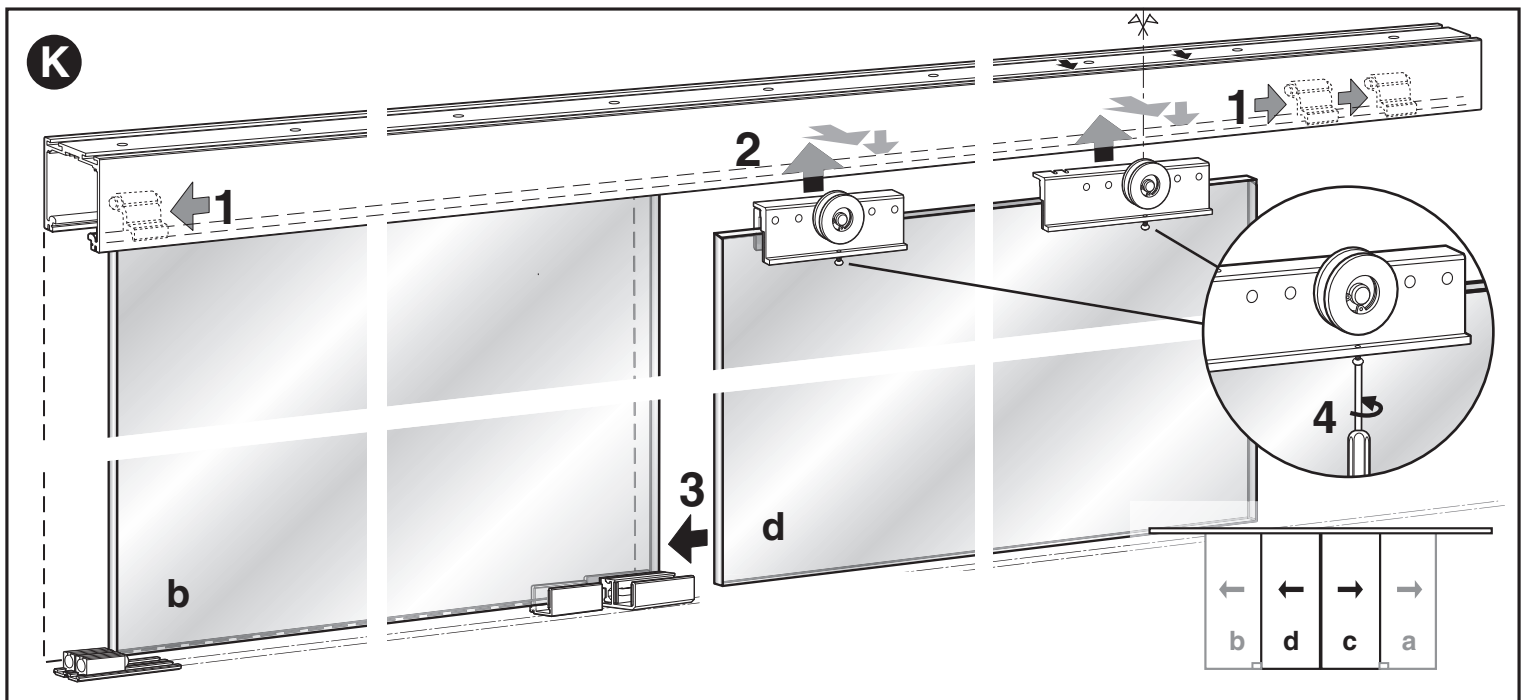
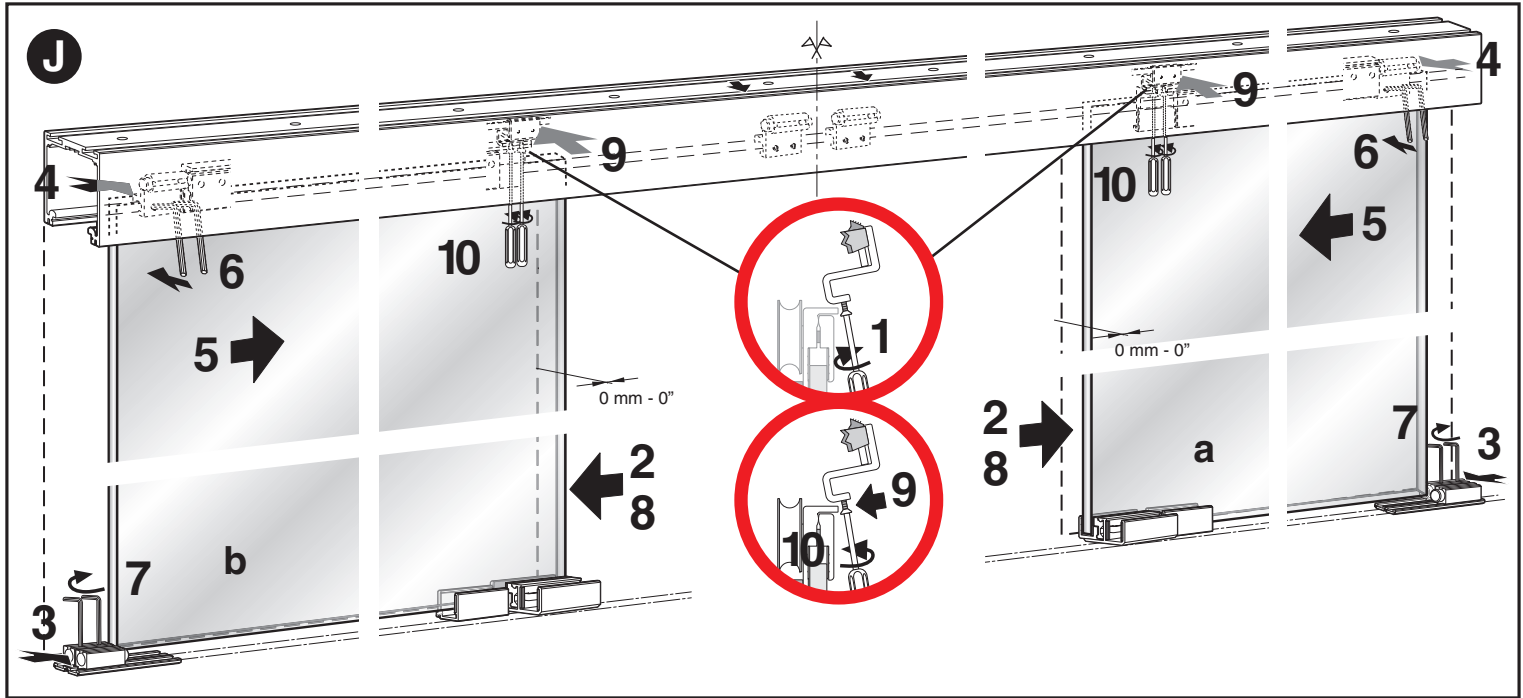
Ref.	L	Lp	hv
1641/1646	2.400-3.100 mm (7' 10 1/2" - 10' 2 1/16")	5.000 mm (16' 4 7/8")	≤ 2.500 mm (8' 2 7/16")

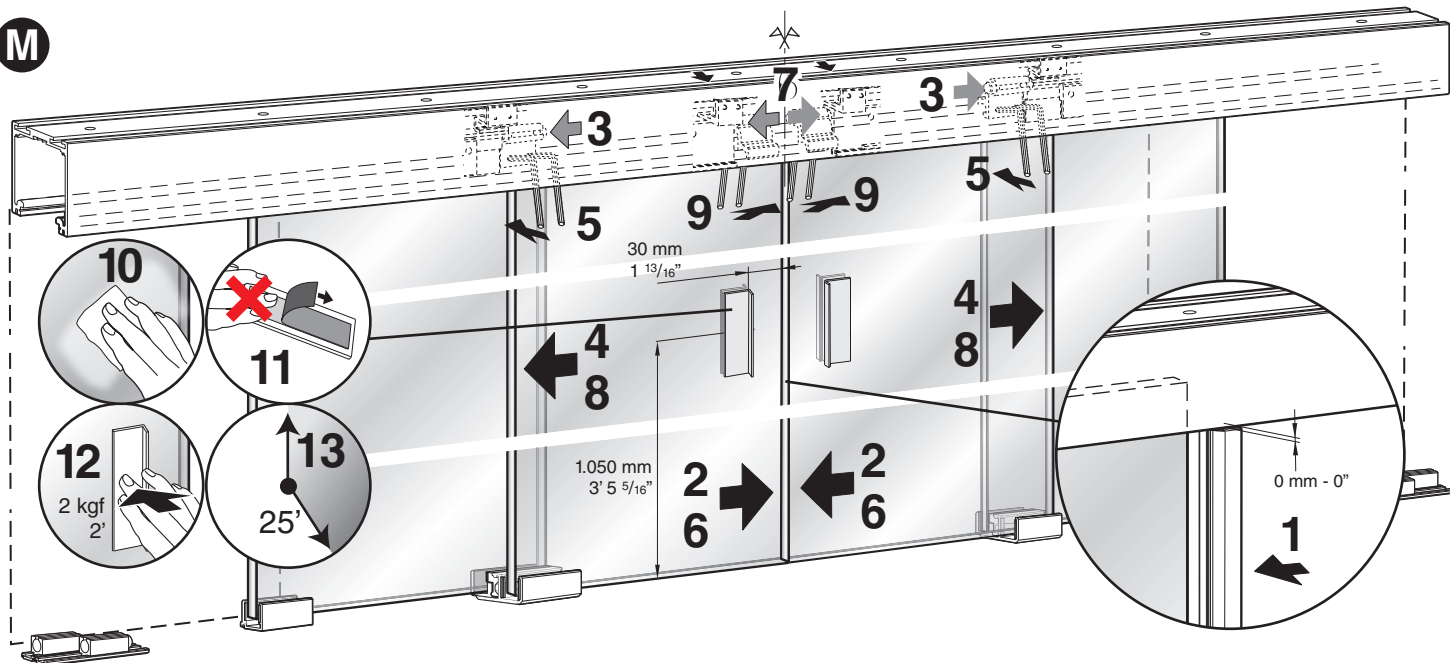
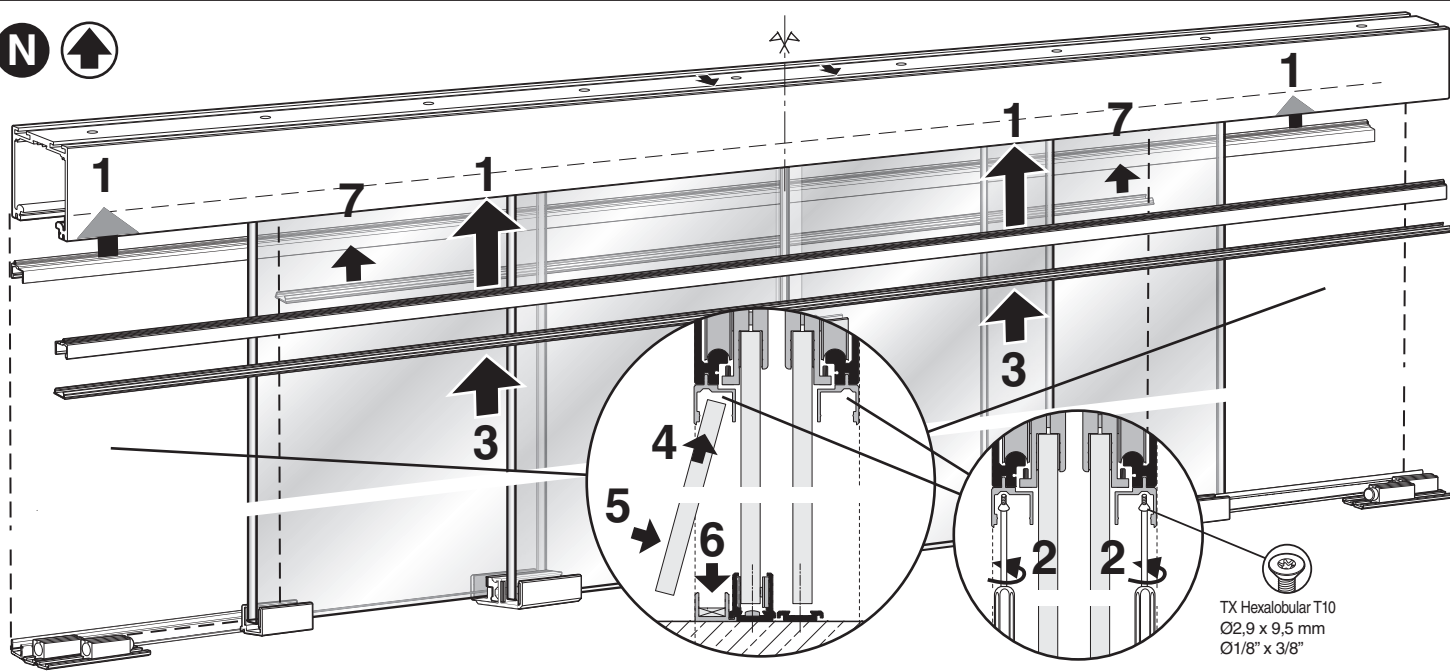
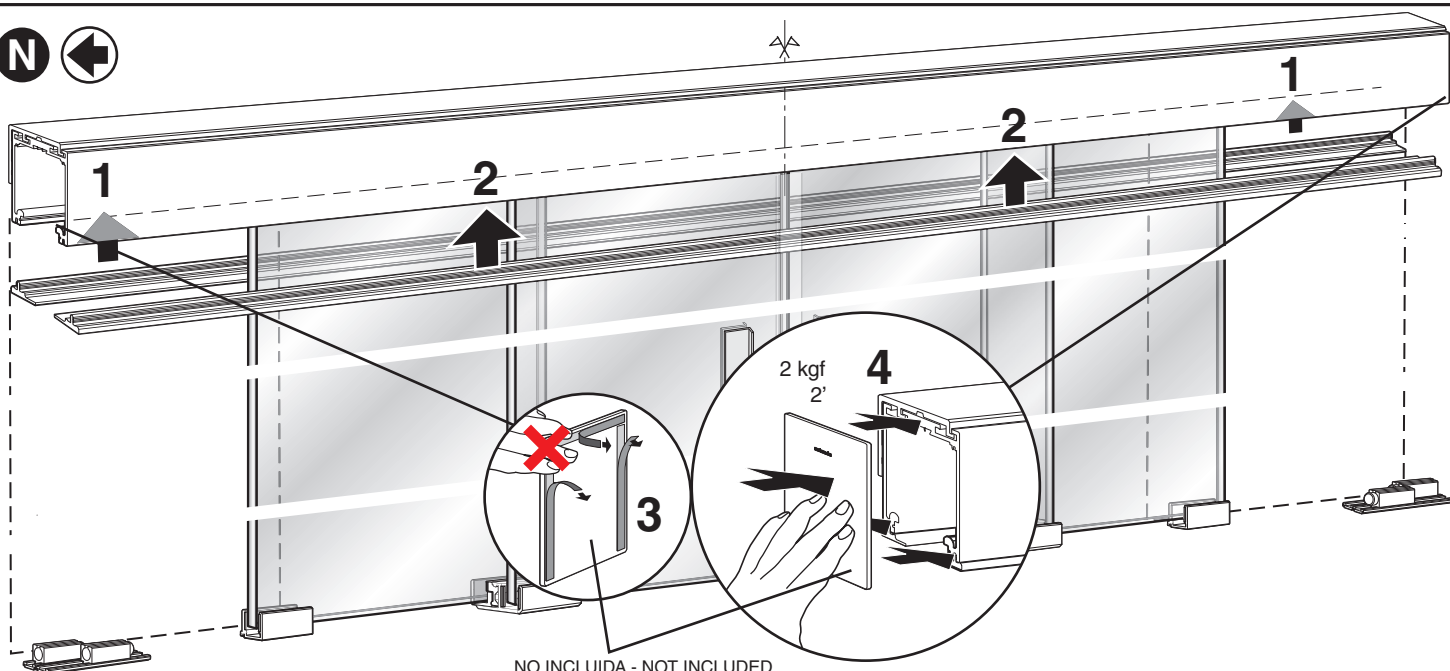
L = _____	$D \geq \frac{L}{4} + 125 \text{ mm (1 } \frac{9}{16} \text{")}$	$Lp = Dx2 + L$	$Lv = \frac{L}{4} + 75 \text{ mm (2 } \frac{15}{16} \text{")}$
-----------	--	----------------	--









M**N****N**

NO INCLUIDA - NOT INCLUDED